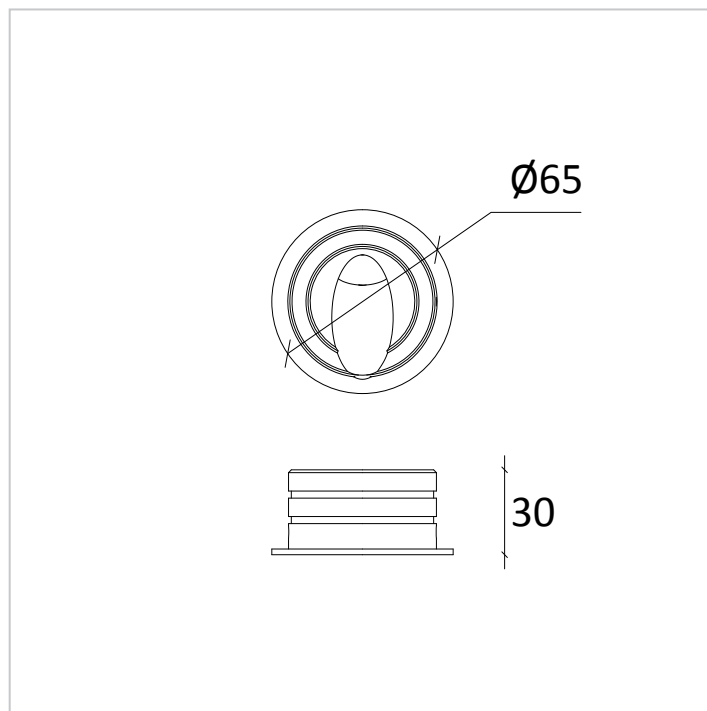




Tango Round is a functional wall marker for indoor and outdoor installation.



CE **CLIII IP 67**

PRODUCT DESCRIPTION

Dissipation body: made of machined aluminium and anodized.

Springs: made in silicone anti-age.

O-ring: made in armonic steel installation in plasterboard.

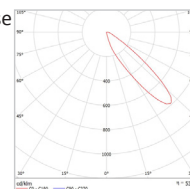
Screws: made of stainless steel AISI 304.

Wiring: standard equipment H05RN-F bipolar cable 2X0,75mm². PG7 plastic cable gland (stainless steel on request).

Dimming options: Standard Switch ON/OFF, dimmable 1-10 and dimmable DALI.

PHOTOMETRY

Asymmetric diffuse



TECHNICAL DATA

| | |
|--------------------|--------------------------|
| Colour temperature | 3000 K - 4000 K - 5000 K |
| Luminous flux | 70 lm * |
| Power supply | 2,3 W |
| Luminous efficacy | ~ 30 lm/W * |
| Colour index | < 85 CRI * |
| Optics | Asymmetric diffuse |
| Driving current | 700 mA |
| Input | 220 - 240 V 50-60 Hz |

* Values are referred to 4000K.

Tassoni & Pesenti

Head Office

address - Via Montegrappa, 32, 20080 Albairate (MI) Italy

web site - www.tplight.it

mail - info@tplight.it

tel/fax - +39.02.97162704

Registered Office

address - Viale E. Forlanini, 23, 20134 Milano (MI) Italy

C.F. & P.I. 07703840962

N° REA 1976624