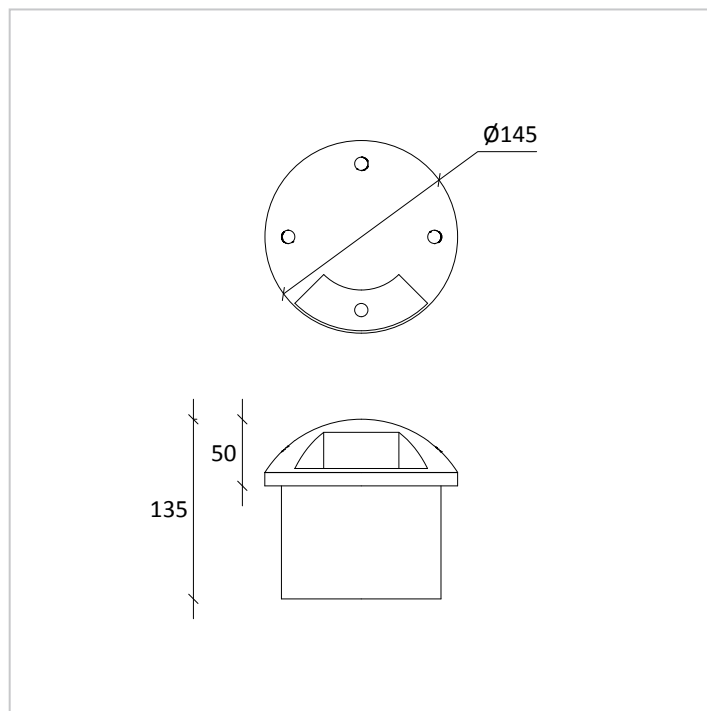


T 15

ARCHITECTURAL
MARKER



T 15 is a functional and practical marker for outdoor installation.



CE   CLIII IP 67

PRODUCT DESCRIPTION

Dissipation body: made of stainless steel AISI 316L.

Dome: made of machined aluminium (stainless steel on request), a wide range of finishing are available.

Front closure: made of tempered glass of the required width.

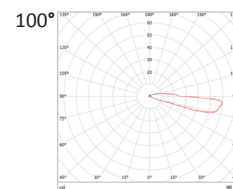
O-ring: made in silicone anti-age.

Screws: made of stainless steel AISI 304.

Wiring: standard equipment H05RN-F bipolar cable 3X0,75mm². PG9 plastic cable gland (stainless steel on request), power supply to be inside the recessed housing - the internal connection, with the entering cable, is always resin in order to prevent moisture input by capillarity along the cable.

Dimming options: Standard Switch ON/OFF, dimmable 1-10 and dimmable DALI.

PHOTOMETRY



TECHNICAL DATA

| | |
|--------------------|--------------------------|
| Colour temperature | 3000 K - 4000 K - 5000 K |
| Luminous flux | 150 lm * |
| Power supply | 7 W |
| Luminous efficacy | ~ 43 lm/W * |
| Colour index | < 85 CRI * |
| Optics | 100° |
| Driving current | 700 mA |
| Input | 220 - 240 V 50-60 Hz |

* Values are referred to 3 LEDs and 4000K.
It is available on request up to four windows.

ACCESSORIES

Recessed Housing: made of polypropylene.

Tassoni & Pesenti

Head Office

address - Via Montegrappa, 32, 20080 Albairate (MI) Italy

web site - www.tplight.it

mail - info@tplight.it

tel/fax - +39.02.97162704

Registered Office

address - Viale E. Forlanini, 23, 20134 Milano (MI) Italy

C.F. & P.I. 07703840962

N° REA 1976624

TASSONI
&
PESENTI