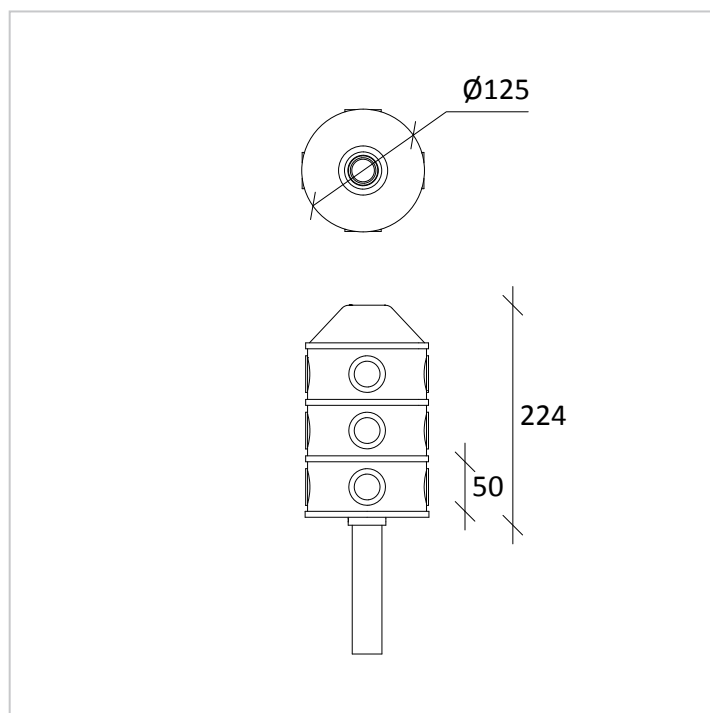
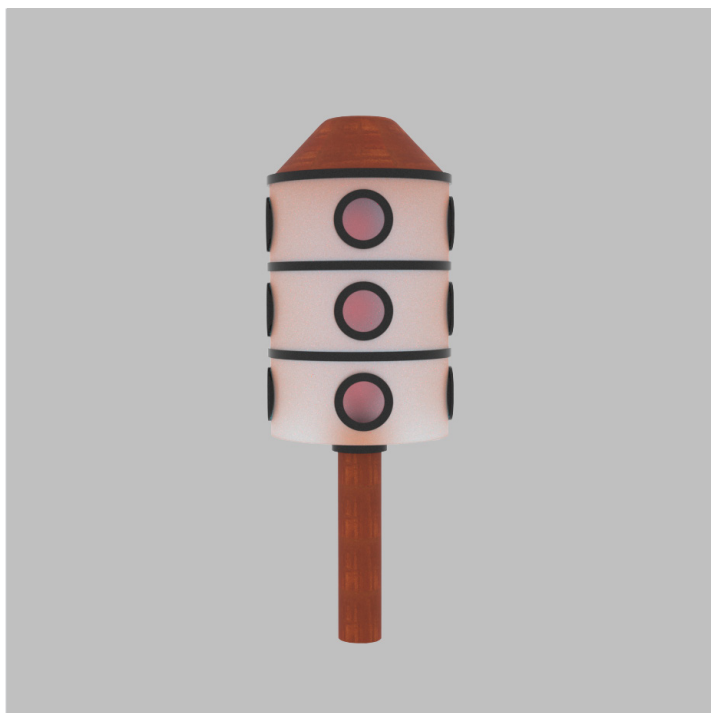


SHANTY

DECORATIVE
LIGHTING



Shanty is a decorative lantern for lighting fixture, for outdoor application.

CE   CLI IP 56

PRODUCT DESCRIPTION

Body: made of amber coloured glass.

Frame: made of anodized aluminium black metalized finish.

Internal diffuser: made of opal PMMA IP rated 65.

Tube support: made in stainless steel painted with polyester powder.

Seals: made in silicone anti-age.

Screws: made of stainless steel AISI 304

Wiring: Standard power supply integrated in the rear compartment.

Dimming options: Standard Switch ON/OFF, dimmable 1-10 and dimmable DALI.

TECHNICAL DATA

Colour temperature	2700 K
Luminous flux	470 lm *
Power supply	6 W **
Luminous efficacy	~ 78 lm/W *
Colour index	80 CRI *
Optics	Diffuse
Driving current	35 mA
Input	220 - 240 V 50-60 Hz

* Values are referred to LED Bulb E14.

Tassoni & Pesenti

Head Office

address - Via Montegrappa, 32, 20080 Albairate (MI) Italy

web site - www.tplight.it

mail - info@tplight.it

tel/fax - +39.02.97162704

Registered Office

address - Viale E. Forlanini, 23, 20134 Milano (MI) Italy

C.F. & P.I. 07703840962

N° REA 1976624

TASSONI
&
PESENTI