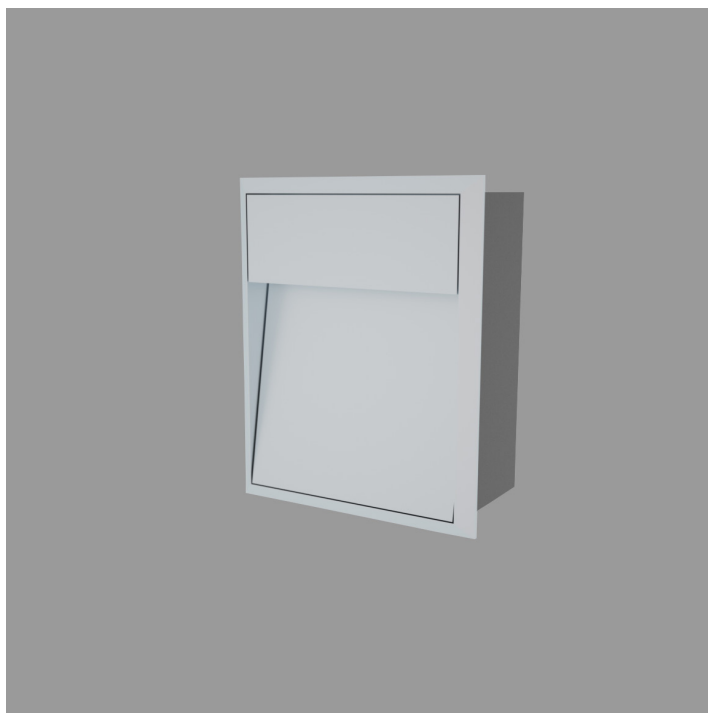
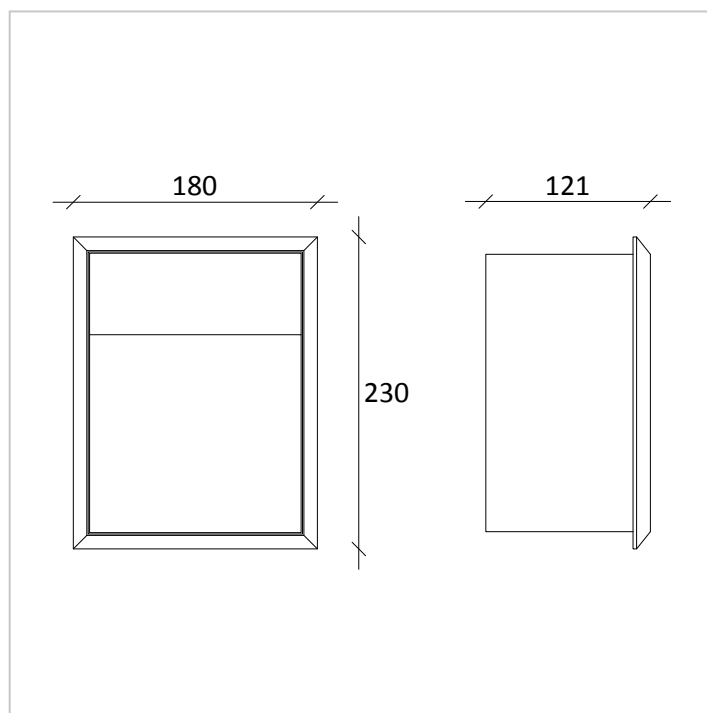


S 23

ARCHITECTURAL
MARKER



S 23 is a functional wall marker for indoor and outdoor installation.



CE   CLIII IP 65

PRODUCT DESCRIPTION

Body: made of die-cast aluminium and painted with polyester powder, a wide range of finishing is available.

Recessed housing: made of polypropylene.

O-ring: made in armonic steel installation in plasterboard.

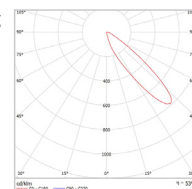
Screws: made of stainless steel AISI 304.

Wiring: standard equipment H05RN-F bipolar cable 2X0,75mm². PG7 plastic cable gland (stainless steel on request).

Dimming options: Standard Switch ON/OFF, dimmable 1-10 and dimmable DALI.

PHOTOMETRY

Asymmetric diffusing



TECHNICAL DATA

Colour temperature	3000 K - 4000 K - 5000 K
Luminous flux	70 lm - 100 lm - 150 lm - 210 lm *
Power supply	4,6 W - 6,9 W - 9,2 W
Luminous efficacy	~ 30 lm/W *
Colour index	< 85 CRI *
Optics	Asymmetric diffusing
Driving current	700 mA
Input	220 - 240 V 50-60 Hz

* Values are referred to 4000K.

Tassoni & Pesenti

Head Office
address - Via Montegrappa, 32, 20080 Albairate (MI) Italy
web site - www.tplight.it
mail - info@tplight.it
tel/fax - +39.02.97162704

Registered Office

address - Viale E. Forlanini, 23, 20134 Milano (MI) Italy
C.F. & P.I. 07703840962
N° REA 1976624

TASSONI
&
PESENTI