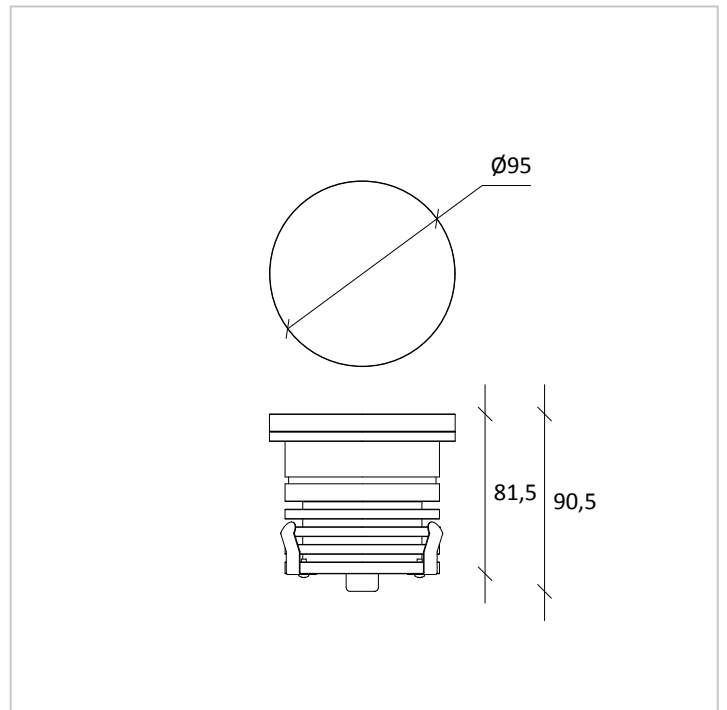


# PLTR 95

ARCHITECTURAL  
SPOTLIGHT



PLTR 95 is a recessed trimless spot light with a full LED and optical choice. Thanks to a wide range of accessories it can be installed in interior and exterior wall, floor and ceiling.

CE F X CLIII IP 67

## PRODUCT DESCRIPTION

**Dissipation body:** made of machined and anodized aluminium.

**Front closure:** made of serigraphed (for a low glaring impact) tempered glass.

**Seals:** made in silicone anti-age.

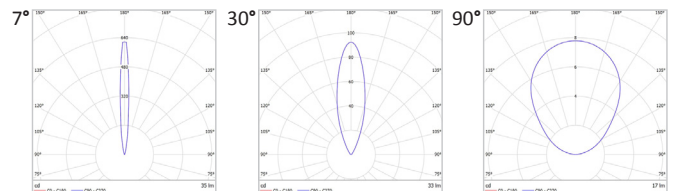
**Screws:** made of stainless steel AISI 304

**Wiring:** standard equipment H05RN-F bipolar cable 2X0,75mm<sup>2</sup>.

PG7 plastic cable gland (stainless steel on request), power supply to be inside the recessed housing.

**Dimming options:** Standard Switch ON/OFF, dimmable 1-10 and dimmable DALI.

## PHOTOMETRY



## TECHNICAL DATA

Colour temperature	2700 K - 3000 K - 4000 K - 5000 K - RGB
Luminous flux	500 lm *
Power supply	10 W
Luminous efficacy	~ 60 lm/W *
Colour index	90 CRI *
Optics	7° - 30° - 90°
Driving current	700 mA
Input	220 - 240 V 50-60 Hz

\* Values are referred to 2700K

## ACCESSORIES

**Recessed housing:** made of machined aluminium sheet.



## Tassoni & Pesenti

Head Office

address - Via Montegrappa, 32, 20080 Albairate (MI) Italy

web site - [www.tplight.it](http://www.tplight.it)

mail - [info@tplight.it](mailto:info@tplight.it)

tel/fax - +39.02.97162704

Registered Office

address - Viale E. Forlanini, 23, 20134 Milano (MI) Italy

C.F. & P.I. 07703840962

N° REA 1976624

TASSONI  
&  
PESENTI