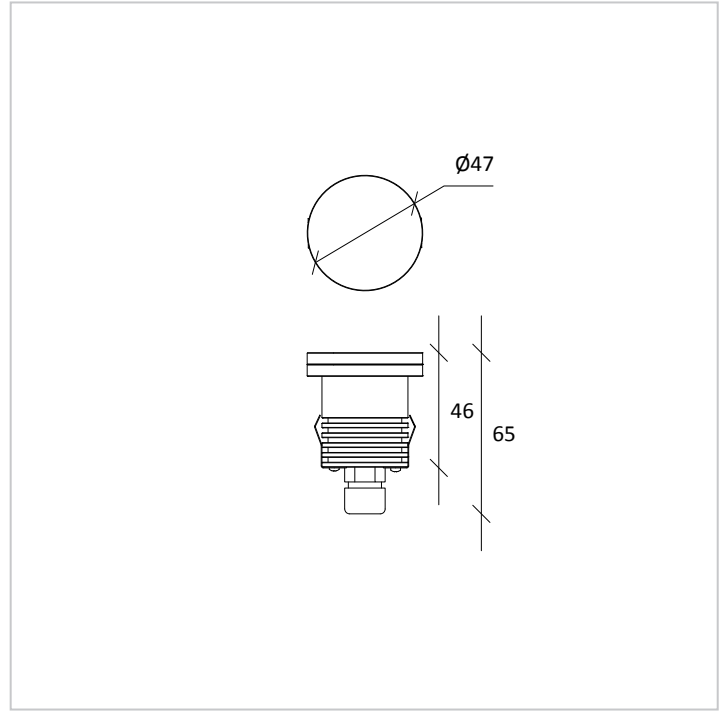


PLTR 47

ARCHITECTURAL
SPOTLIGHT



PLTR 47 is a recessed trimless spot light with a full LED and optical choice. Thanks to a wide range of accessories it can be installed in interior and exterior wall, floor and ceiling.

CE F X CLIII IP 67

PRODUCT DESCRIPTION

Dissipation body: made of machined and anodized aluminium.

Front closure: made of serigraphed (for a low glaring impact) tempered glass.

Seals: made in silicone anti-age.

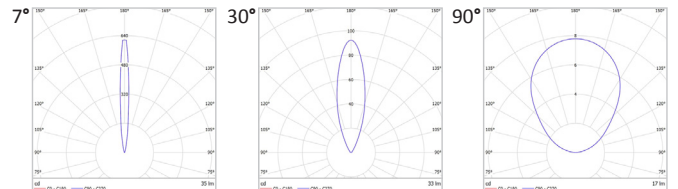
Screws: made of stainless steel AISI 304

Wiring: standard equipment H05RN-F bipolar cable 2X0,75mm².

PG7 plastic cable gland (stainless steel on request), power supply to be inside the recessed housing.

Dimming options: Standard Switch ON/OFF, dimmable 1-10 and dimmable DALI.

PHOTOMETRY



TECHNICAL DATA

Colour temperature	2700 K - 3000 K - 4000 K - 5000 K - RGB
Luminous flux	90 lm *
Power supply	1,5 W
Luminous efficacy	~ 60 lm/W *
Colour index	85 CRI *
Optics	7° - 30° - 90°
Driving current	500 mA
Input	220 - 240 V 50-60 Hz

* Values are referred to 2700K

ACCESSORIES

Recessed housing: made of machined aluminium sheet.



Tassoni & Pesenti

Head Office
address - Via Montegrappa, 32, 20080 Albairate (MI) Italy
web site - www.tplight.it
mail - info@tplight.it
tel/fax - +39.02.97162704

Registered Office

address - Viale E. Forlanini, 23, 20134 Milano (MI) Italy
C.F. & P.I. 07703840962
N° REA 1976624

TASSONI
&
PESENTI