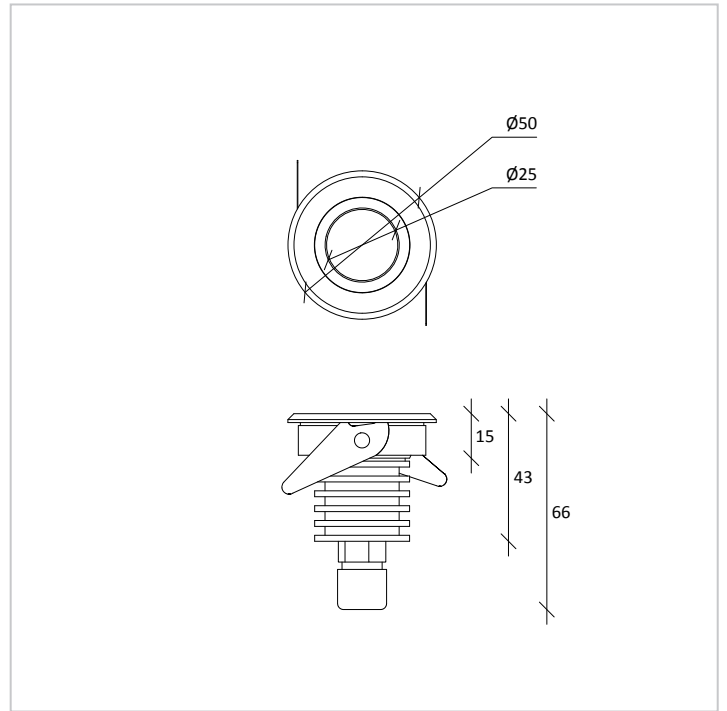


PL 50 ADJUSTABLE

ARCHITECTURAL
SPOTLIGHT



PL 50 Adjustable is a recessed spotlight for outdoor installation, thanks to a wide range of accessories it can be installed in interior and exterior wall, floor and ceiling.

CE CLIII IP 67

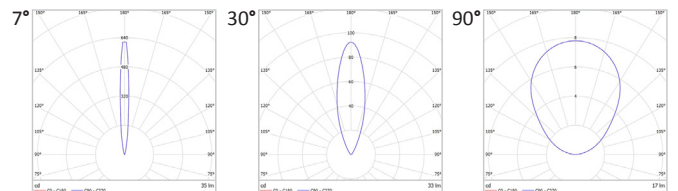
PRODUCT DESCRIPTION

Dissipation body: made of machined and anodized aluminium.
Front ring: made of machined aluminium (stainless steel on request), a wide range of finishing are available.
Front closure: made of serigraphed (for a low glaring impact) tempered glass.
Springs: made in harmonic steel.
O-ring: made in silicone anti-age.
Screws: made of stainless steel AISI 304

Wiring: standard equipment H05RN-F bipolar cable 2X0,75mm². PG7 plastic cable gland (stainless steel on request), power supply to be inside the recessed housing.

Dimming options: Standard Switch ON/OFF, dimmable 1-10 and dimmable DALI.

PHOTOMETRY



TECHNICAL DATA

Colour temperature	3000 K - 4000 K - 5000 K - RGB
Luminous flux	95 lm - 175 lm *
Power supply	1,5 W - 2,3 W
Luminous efficacy	~ 70 lm/W *
Colour index	85 CRI *
Optics	7° - 30° - 90°
Driving current	500 mA - 700 mA
Input	220 - 240 V 50-60 Hz

* Values are referred to 4000K

Tassoni & Pesenti

Head Office
address - Via Montegrappa, 32, 20080 Albairate (MI) Italy
web site - www.tplight.it
mail - info@tplight.it
tel/fax - +39.02.97162704

Registered Office
address - Viale E. Forlanini, 23, 20134 Milano (MI) Italy
C.F. & P.I. 07703840962
N° REA 1976624

TASSONI
&
PESENTI