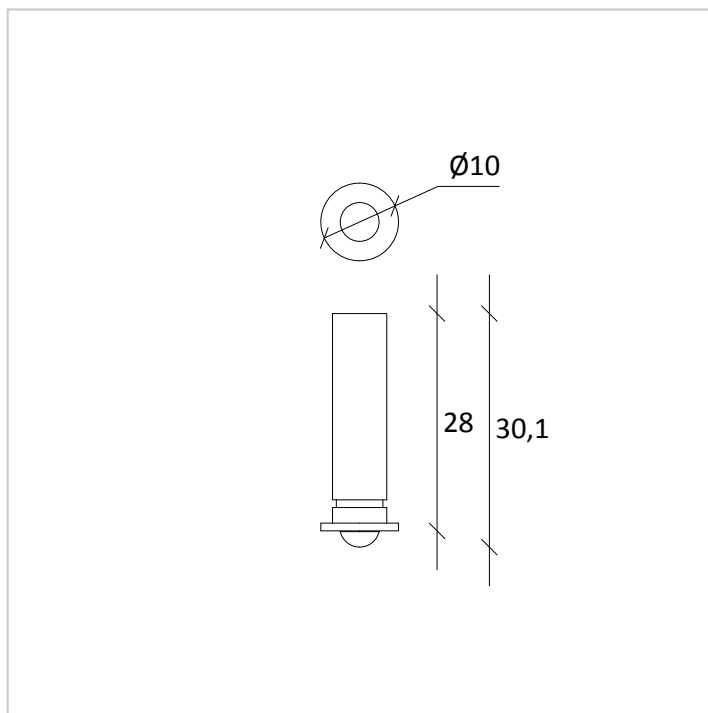
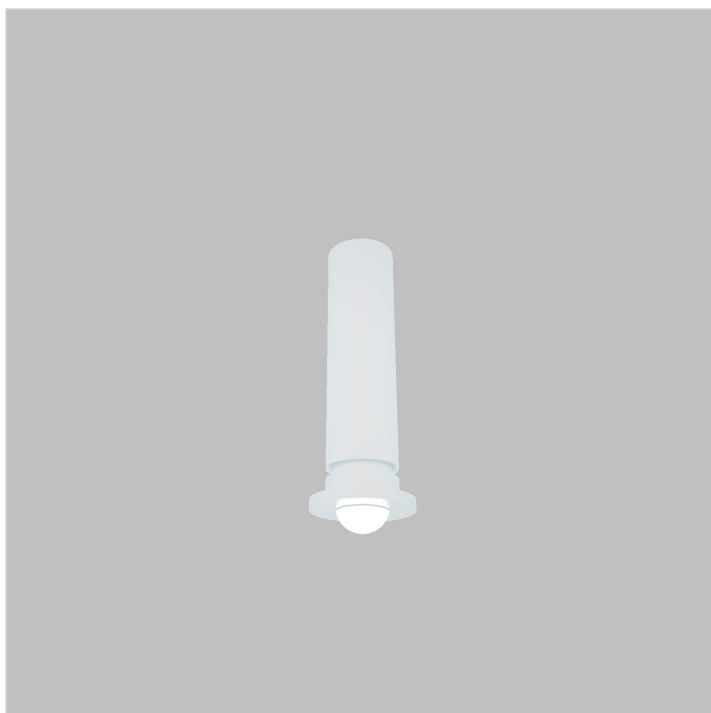


PL 10

ARCHITECTURAL
SPOTLIGHT



PL 10 is a recessed spotlight for indoor installation, specially suited to scenographic effects.

CE F X CLIII IP 40

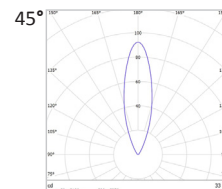
PRODUCT DESCRIPTION

Body and front ring: made of machined brass and chrome plated.

Wiring: standard equipment H05RN-F monopolar cable 0,5mm² red + black; with sealed cable exit.

Dimming options: Standard Switch ON/OFF.

PHOTOMETRY



TECHNICAL DATA

Colour temperature	3000 K - 4000 K
Luminous flux	25 lm *
Power supply	0,5 W
Luminous efficacy	~ 50 lm/W *
Colour index	85 CRI *
Optics	45°
Driving current	20 mA
Input	220 - 240 V 50-60 Hz

* Values are referred to 3000K

Tassoni & Pesenti

Head Office

address - Via Montegrappa, 32, 20080 Albairate (MI) Italy

web site - www.tplight.it

mail - info@tplight.it

tel/fax - +39.02.97162704

Registered Office

address - Viale E. Forlanini, 23, 20134 Milano (MI) Italy

C.F. & P.I. 07703840962

N° REA 1976624

TASSONI
— & —
PESENTI