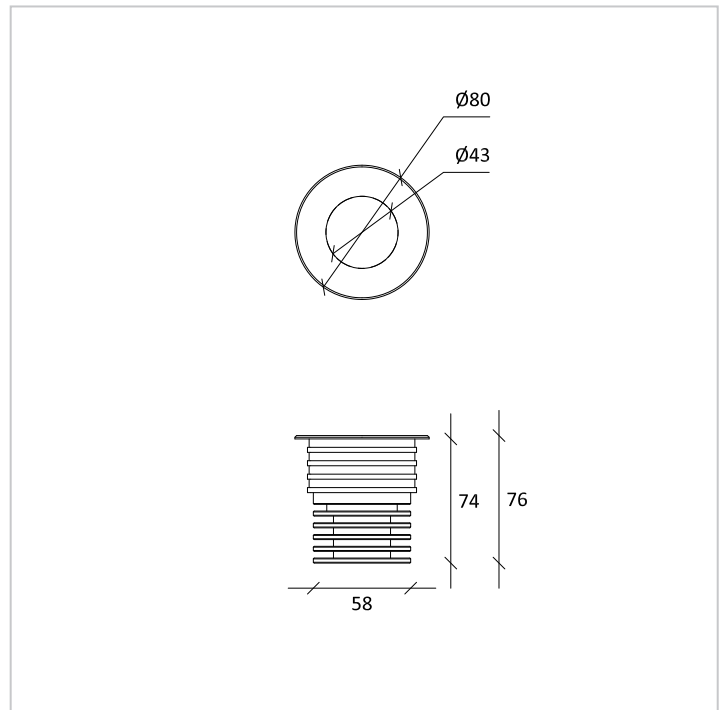


# PL 80

ARCHITECTURAL  
SPOTLIGHT



PL 80 is a recessed spotlight for outdoor installation, thanks to a wide range of accessories it can be installed in interior and exterior wall, floor and ceiling.

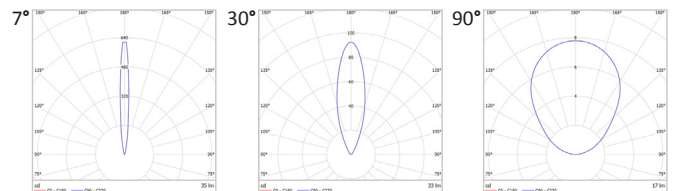
CE F X CLIII IP 67

## PRODUCT DESCRIPTION

**Dissipation body:** made of machined and anodized aluminium.  
**Front ring:** made of machined aluminium (stainless steel on request), a wide range of finishing are available.  
**Front closure:** made of serigraphed (for a low glaring impact) tempered glass.  
**O-ring:** made in silicone anti-age.  
**Screws:** made of stainless steel AISI 304

**Wiring:** standard equipment H05RN-F bipolar cable 2X0,75mm2.  
PG7 plastic cable gland (stainless steel on request), power supply to be inside the recessed housing.  
**Dimming options:** Standard Switch ON/OFF, dimmable 1-10 and dimmable DALI.

## PHOTOMETRY



## TECHNICAL DATA

Colour temperature	2700 K - 3000 K - 4000 K - 5000 K - RGB
Luminous flux	300 lm - 510 lm *
Power supply	5 W - 7,5 W
Luminous efficacy	~ 60 lm/W *
Colour index	85 CRI *
Optics	7° - 30° - 90°
Driving current	350 mA - 500 mA
Input	220 - 240 V 50-60 Hz

\* Values are referred to RGBW

## ACCESSORIES

**Eyлід:** made of machined aluminium sheet.



Tassoni & Pesenti

Head Office  
address - Via Montegrappa, 32, 20080 Albairate (MI) Italy  
web site - [www.tplight.it](http://www.tplight.it)  
mail - [info@tplight.it](mailto:info@tplight.it)  
tel/fax - +39.02.97162704

Registered Office  
address - Viale E. Forlanini, 23, 20134 Milano (MI) Italy  
C.F. & P.I. 07703840962  
N° REA 1976624

TASSONI  
&  
PESENTI