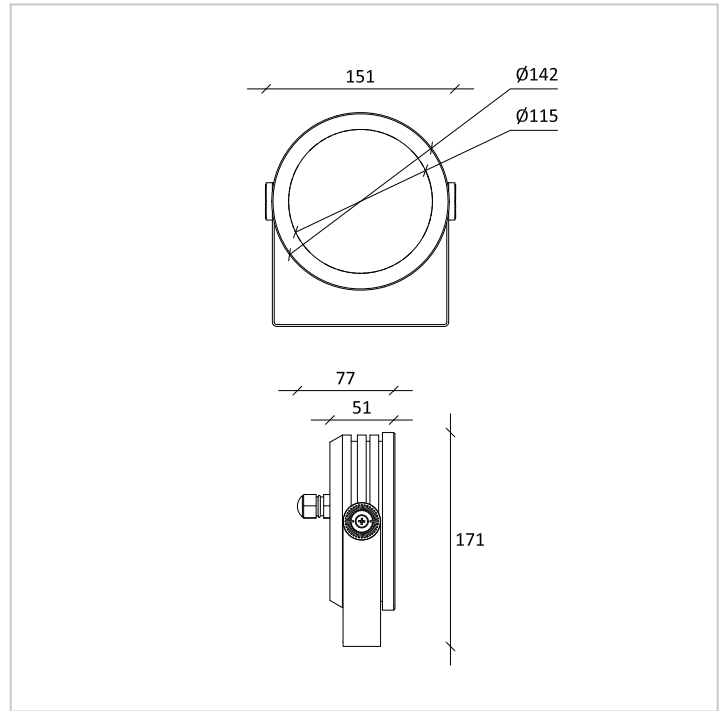
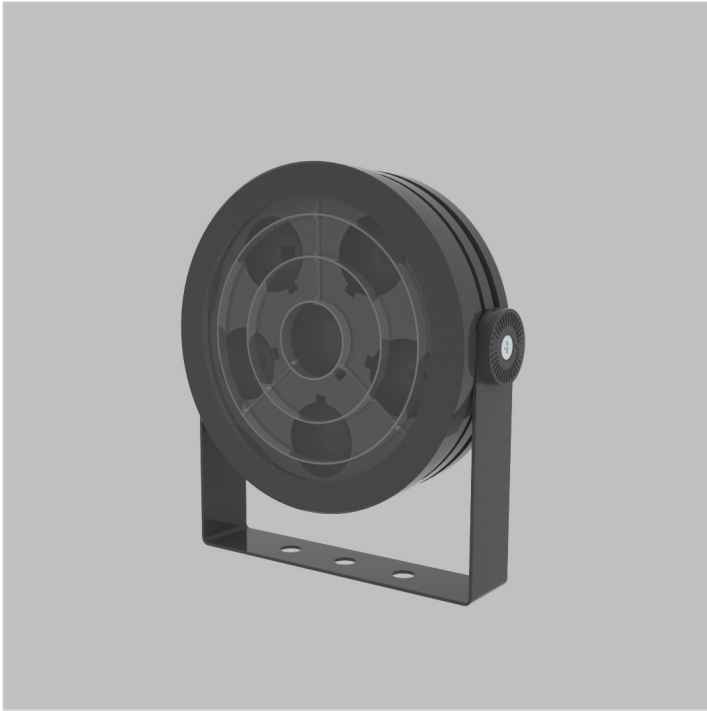


PL 200 BRACKET

ARCHITECTURAL
PROJECTOR



PL 200 Bracket is an architectural projector for outdoor installation and thanks to the accessories it can be installed wall, ceiling and floor/ground.

CE F X CLII IP 66

PRODUCT DESCRIPTION

Dissipation body: made of 20 micron anodized aluminium, a wide range of finishing are available.

Front ring: made of made of stainless steel AISI316L.

Front closure: made of tempered glass; clear or frosted.

Bracket: made of laster cutted alumonium foil, anodized or painted with polyester powder.

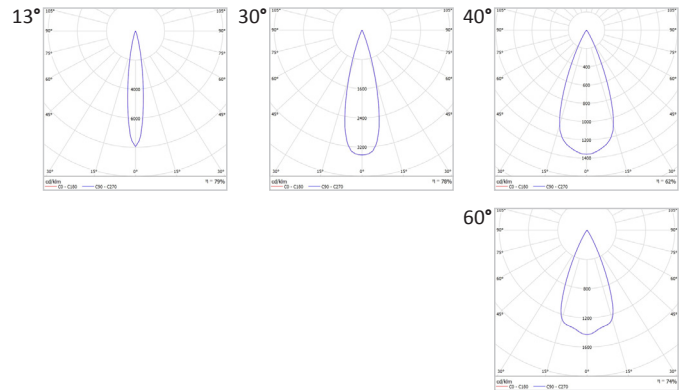
O-ring: made in silicone anti-age.

Screws: made of stainless steel AISI 304

Wiring: standard equipment H05RN-F, 2x 0,75mm² 50cm length. PG9 stainless steel cable gland, power supply and DMX driver to be remoted.

Dimming options: Standard Switch ON/OFF, dimmable 1-10 and dimmable.

PHOTOMETRY



TECHNICAL DATA

Colour temperature	2700 K - 3000 K - 4000 K - 5000 K - RGB
Luminous flux	562,5 lm - 956 lm - 1125 lm *
Power supply	9 W - 14,5 W - 20 W
Luminous efficacy	~ 56 lm/W *
Colour index	> 80 CRI *
Optics	13° - 30° - 40° - 60°
Driving current	350 mA - 500 mA - 700 mA
Input	220 - 240 V 50-60 Hz

* Values are referred to RGB

ACCESSORIES

Wall arm: 300mm and 450mm made of galvanized steel and painted with polyester powder.

Wall Box: for fixing and wiring.

Earth spike: made of stainless steel.

Visor and snoot: made of machined aluminium.

Tassoni & Pesenti

Head Office

address - Via Montegrappa, 32, 20080 Albairate (MI) Italy

web site - www.tplight.it

mail - info@tplight.it

tel/fax - +39.02.97162704

Registered Office

address - Viale E. Forlanini, 23, 20134 Milano (MI) Italy

C.F. & P.I. 07703840962

N° REA 1976624

TASSONI
&
PESENTI