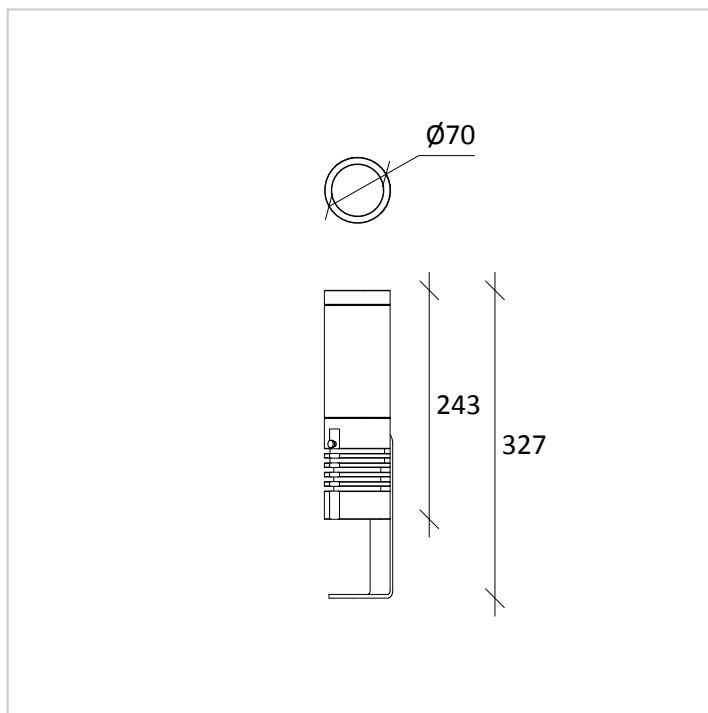


# PENGUIN

ARCHITECTURAL  
PROJECTOR



Penguin is an architectural projector and, thanks to a wide range of accessories, it can be installed indoor and outdoor especially for gardens and walkways.

CE F X CLIII IP 67

## PRODUCT DESCRIPTION

**Dissipation body:** made of aluminium, anodized or painted with polyester powder, a wide range of finishing are available.

**Central tube:** made of transparent polycarbonate UV stabilized.

**Front closure:** made of tempered glass; clear or frosted.

**Bracket:** made of laser cutted aluminium foil, anodized or painted with polyester powder.

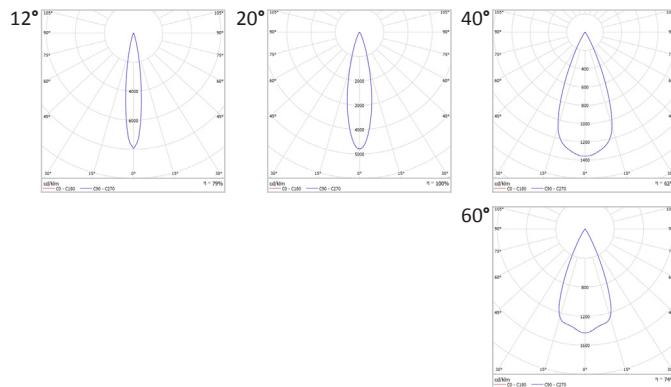
**Seals:** made in silicone anti-age.

**Screws:** made of stainless steel AISI 304

**Wiring:** standard equipment H05RN-F with bipolar cable 2x0,75 mm<sup>2</sup> 50cm length; 6x0,35 mm<sup>2</sup> for RGB version. PG7 plastic cable gland (stainless steel on request).

**Dimming options:** Standard Switch ON/OFF, dimmable 1-10 and dimmable DALI.

## PHOTOMETRY



## TECHNICAL DATA

Colour temperature	2700 K - 3000 K - 4000 K - 5000 K
Luminous flux	1800 lm *
Power supply	20 W
Luminous efficacy	~ 90 lm/W *
Colour index	85 CRI *
Optics	12° - 20° - 40° - 60°
Driving current	700 mA
Input	220 - 240 V 50-60 Hz

\* Values are referred to 4000K

## ACCESSORIES

**Earth spike:** made of anodized aluminium or stainless steel.

**Tree strap:** made of plastic buckle, for max 60cm diameter tree.



## Tassoni & Pesenti

Head Office

address - Via Montegrappa, 32, 20080 Albairate (MI) Italy

web site - [www.tplight.it](http://www.tplight.it)

mail - [info@tplight.it](mailto:info@tplight.it)

tel/fax - +39.02.97162704

Registered Office

address - Viale E. Forlanini, 23, 20134 Milano (MI) Italy

C.F. & P.I. 07703840962

N° REA 1976624

TASSONI  
&  
PESENTI