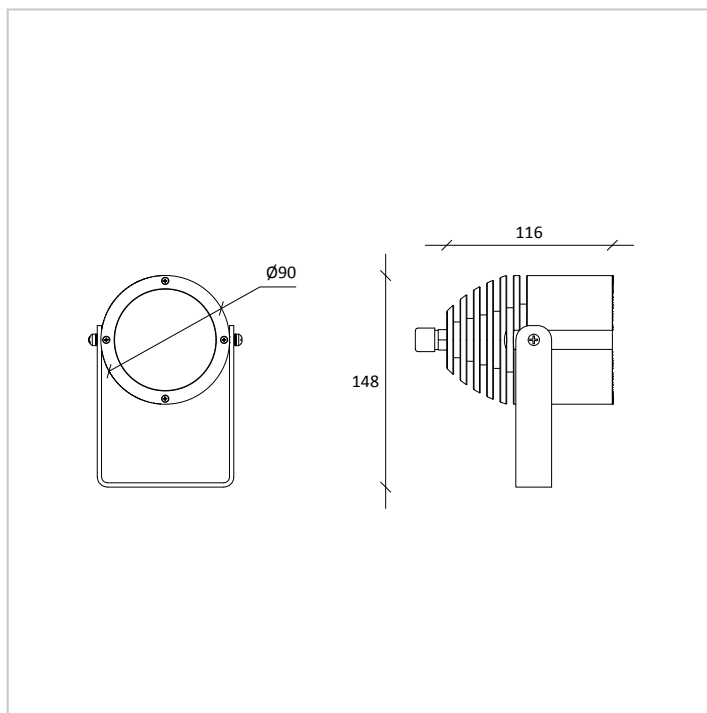
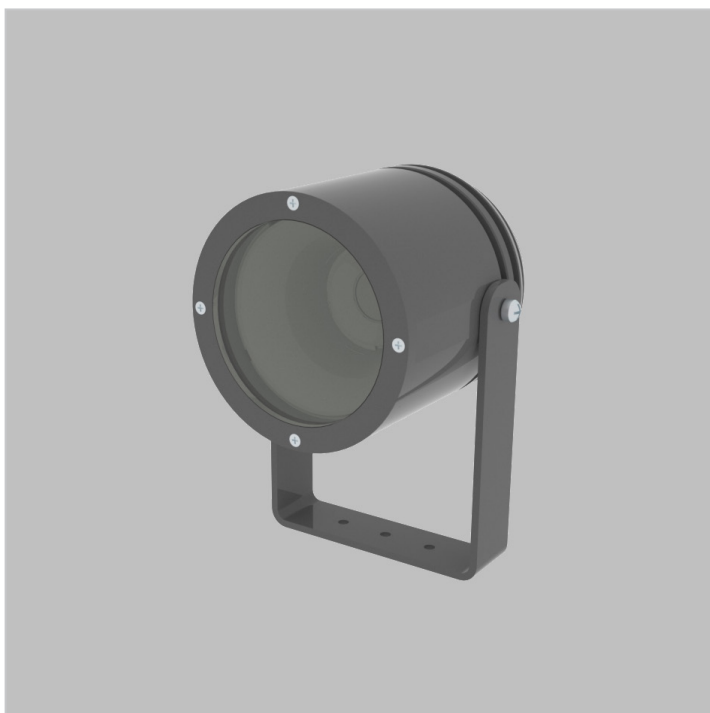


P 11

ARCHITECTURAL PROJECTOR



P 11 is an architectural projector and, thanks to a wide range of accessories, it can be installed in interior and exterior wall, floor and ceiling.

CE F X CLIII IP 67

PRODUCT DESCRIPTION

Dissipation body: made of aluminium, anodized or painted with polyester powder, a wide range of finishing are available.

Front ring: made of aluminium, anodized or painted with polyester powder, a wide range of finishing are available.

Front closure: made of tempered glass; clear or frosted.

Bracket: made of laster cutted alumonion foil, anodized or painted with polyester powder.

Seals: made in silicone anti-age.

Screws: made of stainless steel AISI 304

Wiring: standard equipment H05RN-F with bipolar calbe 2x0,75 mm² 50cm length; 6x0,35 mm² for RGB version. PG7 plastic cable gland (stainless steel on request).

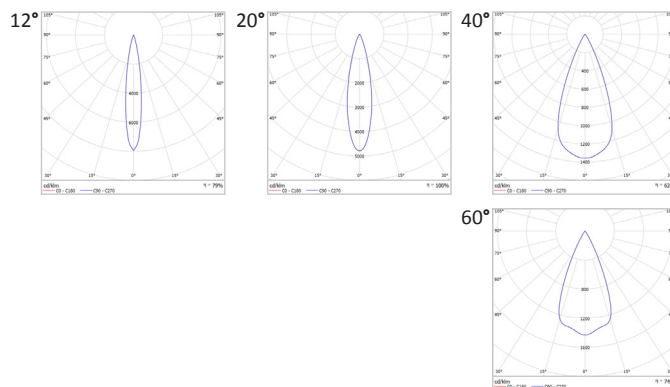
Dimming options: Standard Switch ON/OFF, dimmable 1-10 and dimmable DALI.

TECHNICAL DATA

Colour temperature	3000 K - 4000 K - 5000 K - RGB
Luminous flux	3500 lm *
Power supply	31 W
Luminous efficacy	~ 110 lm/W *
Colour index	< 90 CRI *
Optics	12° - 20° - 40° - 60°
Driving current	1050 mA
Input	220 - 240 V 50-60 Hz

* Values are referred to 4000K

PHOTOMETRY



ACCESSORIES

Earth spike: made of anodized aluminium or stainless steel.

Tree strap: made of plastic buckle, for max 60cm diameter tree.

Ring eyelid: antiglare made of machined aluminium.

Power supply box: rectangular or cylindrical sealed box.

Tassoni & Pesenti

Head Office

address - Via Montegrappa, 32, 20080 Albairate (MI) Italy

web site - www.tplight.it

mail - info@tplight.it

tel/fax - +39.02.97162704

Registered Office

address - Viale E. Forlanini, 23, 20134 Milano (MI) Italy

C.F. & P.I. 07703840962

N° REA 1976624

