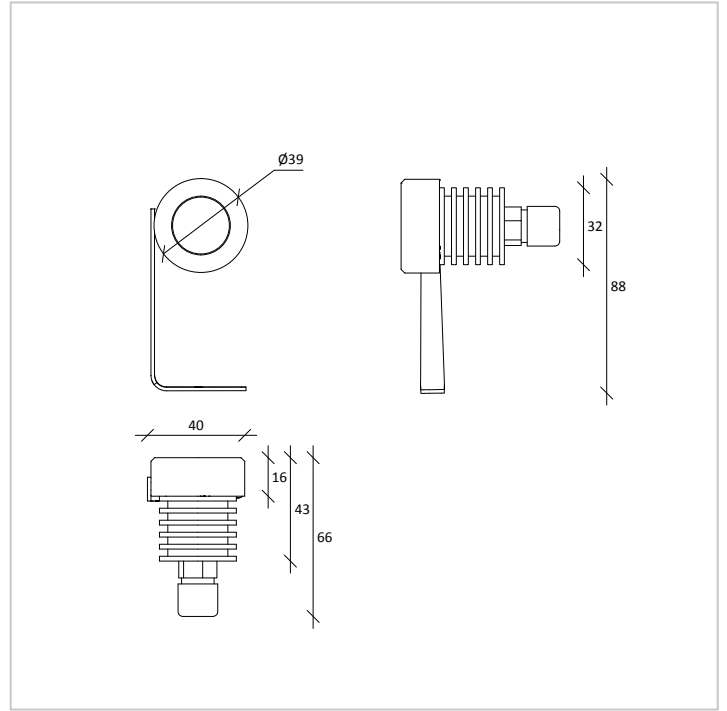


# P 0

## ARCHITECTURAL PROJECTOR



P 0 is a small architectural projector suitable for exhibitors or generally where an accent lighting is required.

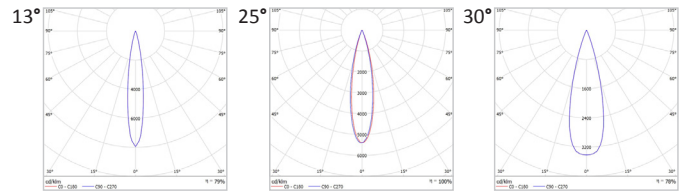
CE F X CLIII IP 67

### PRODUCT DESCRIPTION

- Dissipation body:** made of aluminium and anodized or painted with polyester powder, a wide range of finishing are available.
- Front ring:** made of aluminium and anodized or painted with polyester powder, a wide range of finishing are available.
- Front closure:** made of tempered glass; clear or frosted.
- Bracket:** made in stainless steel AISI 316 for mounting in any surfaces.
- Seals:** made in silicone anti-age.
- Screws:** made of stainless steel AISI 304

- Wiring:** standard equipment H05RN-F bipolar cable 2X0,75mm<sup>2</sup>, 50cm length. PG7 plastic cable gland (stainless steel on request).
- Dimming options:** Standard Switch ON/OFF, dimmable 1-10 and dimmable DALI.

### PHOTOMETRY



### TECHNICAL DATA

Colour temperature	3000 K - 4000 K - 5000 K
Luminous flux	95 lm - 175 lm *
Power supply	1,5 W - 2,3 W
Luminous efficacy	~ 70 lm/W *
Colour index	90 CRI *
Optics	13° - 25° - 30°
Driving current	500 mA - 700 mA
Input	220 - 240 V 50-60 Hz

\* Values are referred to 3000K

### Tassoni & Pesenti

Head Office  
address - Via Montegrappa, 32, 20080 Albairate (MI) Italy  
web site - [www.tplight.it](http://www.tplight.it)  
mail - [info@tplight.it](mailto:info@tplight.it)  
tel/fax - +39.02.97162704

### Registered Office

address - Viale E. Forlanini, 23, 20134 Milano (MI) Italy  
C.F. & P.I. 07703840962  
N° REA 1976624

TASSONI  
&  
PESENTI