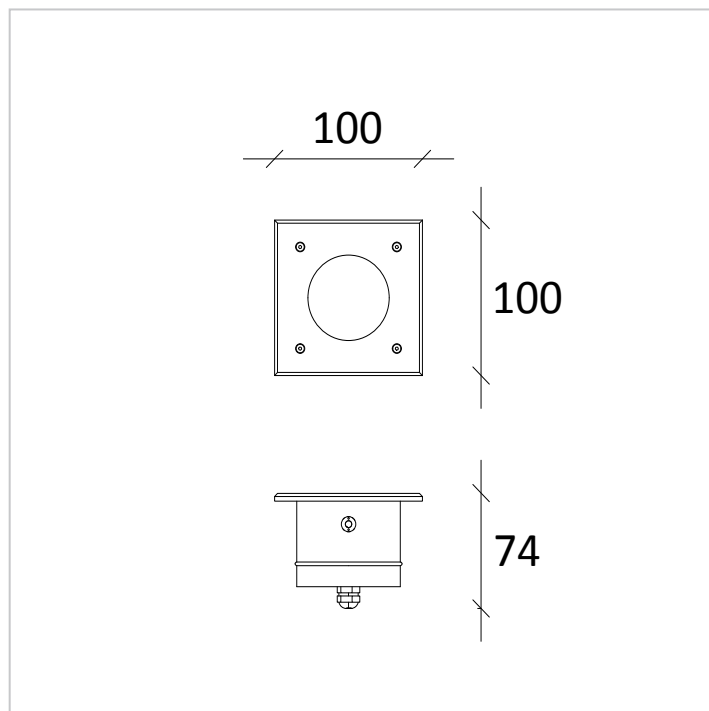
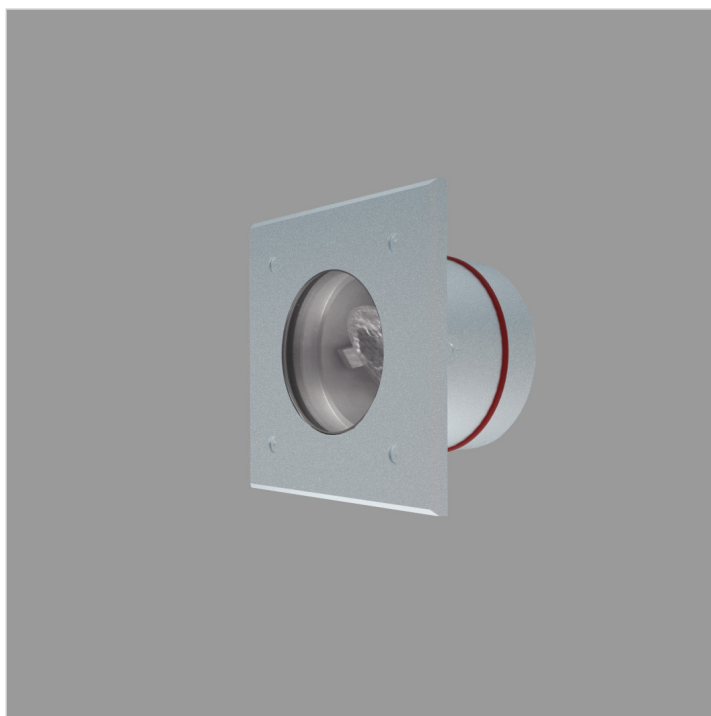


OBLO' S ADJUSTABLE

ARCHITECTURAL
UPLIGHT



Oblo' S Adjustable is a recessed spot light with a full LED and optical choice. Thanks to a wide range of accessories it can be installed in interior and exterior wall, floor and ceiling.

CE F X CLIII IP 67

PRODUCT DESCRIPTION

Dissipation body: made of machined aluminium and anodized (on request polished stainless steel AISI 316L).

Front ring: square shape front ring, made of anodized aluminium or polished stainless steel AISI 316L.

Front closure: made of tempered glass of the required width, clear or frosted.

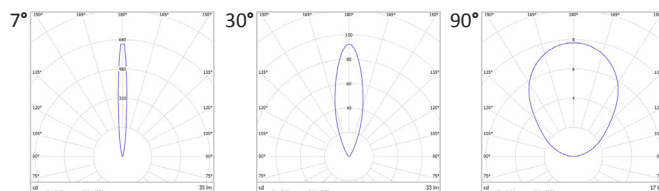
Springs: made in armonic steel.

O-ring and seals: made in silicone anti-age.

Screws: made of stainless steel AISI 304

Wiring: standard equipment H05RN-F bipolar cable 2X0,75mm², 50 cm length; 6x0,35mm² for RGB version. PG7 plastic cable gland (nickel-plated brass and stainless steel on request).

PHOTOMETRY



TECHNICAL DATA

Colour temperature	3000 K - 4000 K - 5000 K - RGB
Luminous flux	240 lm *
Power supply	3 W
Luminous efficacy	~ 80 lm/W *
Colour index	85 CRI *
Optics	7° - 30° - 90°
Driving current	350 mA
Input	220 - 240 V 50-60 Hz

* Values are referred to 4000K.

External adjustment system and pond +/- 20°, suitable when you want to avoid opening the fixture.

Internal adjustmentsystem +/- 20° by opening the front frame.

ACCESSORIES

Recessed housing: made of stainless steel.

Tassoni & Pesenti

Head Office

address - Via Montegrappa, 32, 20080 Albairate (MI) Italy

web site - www.tplight.it

mail - info@tplight.it

tel/fax - +39.02.97162704

Registered Office

address - Viale E. Forlanini, 23, 20134 Milano (MI) Italy

C.F. & P.I. 07703840962

N° REA 1976624

TASSONI
&
PESENTI