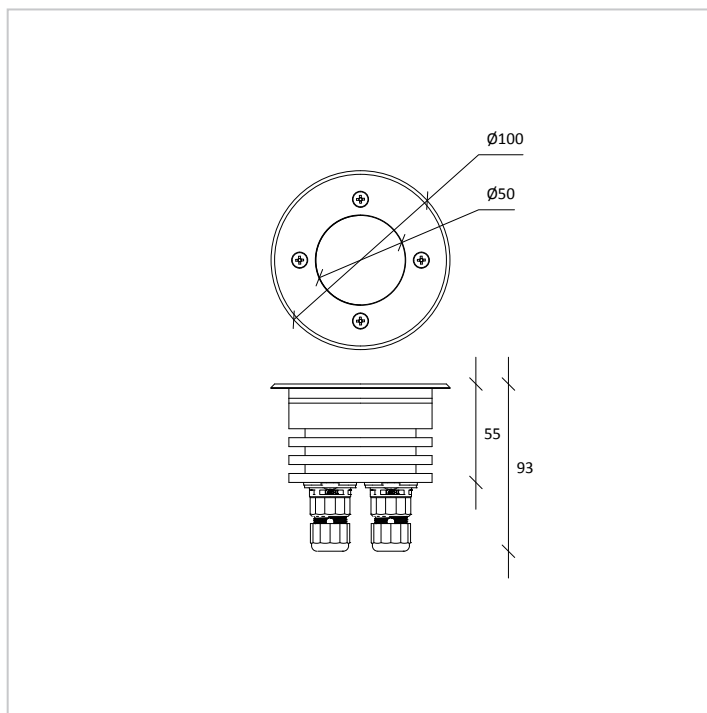
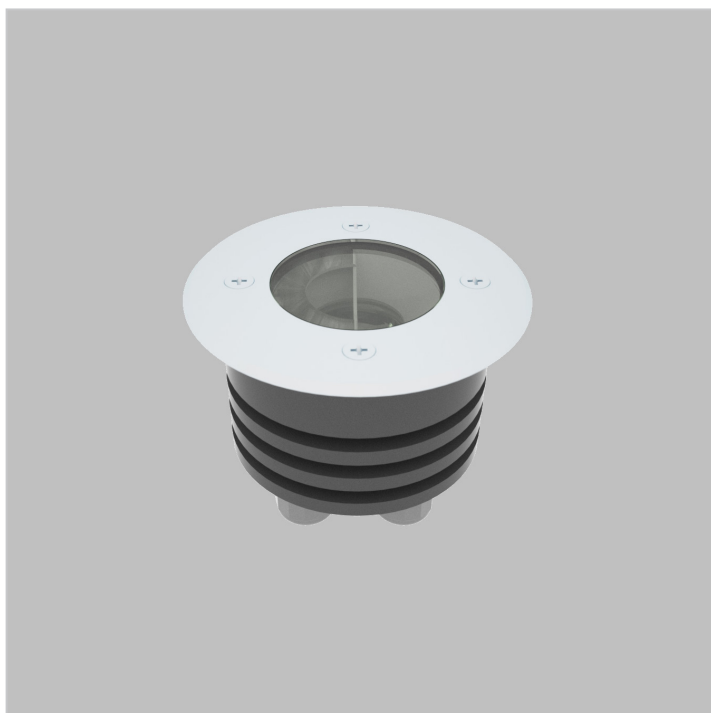


# OBLO' EVO

## ARCHITECTURAL UPLIGHT



Oblo' Evo is a recessed spot light with a full LED and optical choice. The device is IP68 and can therefore be installed underwater for swimming pools and fountains.

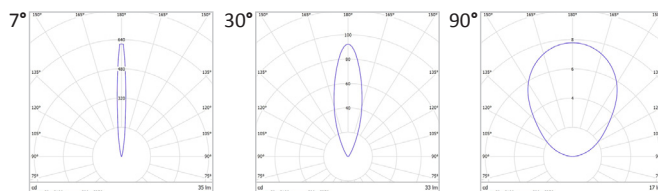
CE F X CLI IP 67

### PRODUCT DESCRIPTION

**Dissipation body:** made of machined and anodized aluminium.  
**Front ring:** made of machined and polished/brushed aluminium (stainless steel on request), a wide range of finishing are available.  
**Front closure:** made of serigraphed (for a low glaring impact) tempered glass.  
**O-ring:** made in silicone anti-age.  
**Screws:** made of stainless steel AISI 304

**Wiring:** standard equipment H05RN-F bipolar cable 2X0,75mm<sup>2</sup>-50 cm length. PG7 plastic cable gland (stainless steel on request), product provided with double plug-in connectors to ensure a loop connection, power supply to be inside the recessed housing. Recessed housing provided with double PG9 cable gland.  
**Dimming options:** Standard Switch ON/OFF, dimmable 1-10 and dimmable DALI.

### PHOTOMETRY



### TECHNICAL DATA

Colour temperature	2700 K - 3000 K - 4000 K - 5000 K - RGB
Luminous flux	450 lm *
Power supply	5,5 W
Luminous efficacy	~ 80 lm/W *
Colour index	85 CRI *
Optics	7° - 30° - 90°
Driving current	500 mA
Input	220 - 240 V 50-60 Hz

\* Values are referred to 3000K

### ACCESSORIES

**Eyloid:** made of machined aluminium sheet.  
**Recessed housing:** made of close plastic IP 67.



### Tassoni & Pesenti

Head Office  
address - Via Montegrappa, 32, 20080 Albairate (MI) Italy  
web site - [www.tplight.it](http://www.tplight.it)  
mail - [info@tplight.it](mailto:info@tplight.it)  
tel/fax - +39.02.97162704

Registered Office  
address - Viale E. Forlanini, 23, 20134 Milano (MI) Italy  
C.F. & P.I. 07703840962  
N° REA 1976624

TASSONI  
&  
PESENTI