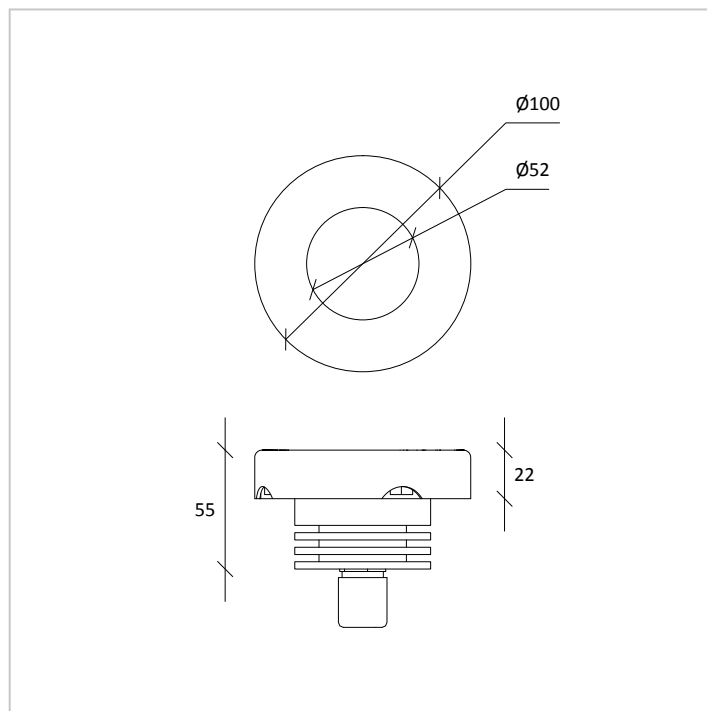


OBLO' D5

ARCHITECTURAL
UPLIGHT



Oblo' D5 is a recessed spot light with a full LED and optical choice. The device is IP68 and can therefore be installed underwater for swimming pools and fountains until 5 metres underwater.

CE F X CLI IP 68

PRODUCT DESCRIPTION

Dissipation body: made of polished stainless steel AISI 316L.

Front ring: made of polished stainless steel AISI 316L.

Front closure: made of tempered glass of the required width.

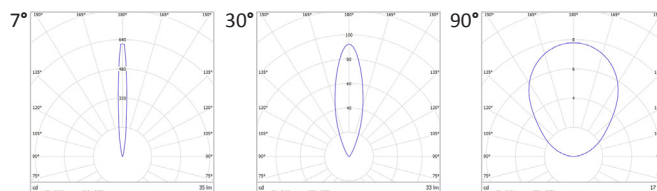
O-ring: made in silicone anti-age.

Screws: made of stainless steel AISI 304

Wiring: standard equipment H05RN-F bipolar cable 2X0,75mm², 50 cm length; 6x0,35mm² for RGB version. PG7 in stainless steel.

Dimming options: Standard Switch ON/OFF, dimmable 1-10 and dimmable DALI.

PHOTOMETRY



TECHNICAL DATA

Colour temperature	2700 K - 3000 K - 4000 K - 5000 K - RGB
Luminous flux	650 lm *
Power supply	9 W
Luminous efficacy	~ 80 lm/W *
Colour index	85 CRI *
Optics	7° - 30° - 90°
Driving current	700 mA
Input	220 - 240 V 50-60 Hz

* Values are referred to 4000K

ACCESSORIES

Recessed housing: made of stainless steel.

Tassoni & Pesenti

Head Office

address - Via Montegrappa, 32, 20080 Albairate (MI) Italy

web site - www.tplight.it

mail - info@tplight.it

tel/fax - +39.02.97162704

Registered Office

address - Viale E. Forlanini, 23, 20134 Milano (MI) Italy

C.F. & P.I. 07703840962

N° REA 1976624

TASSONI
&
PESENTI