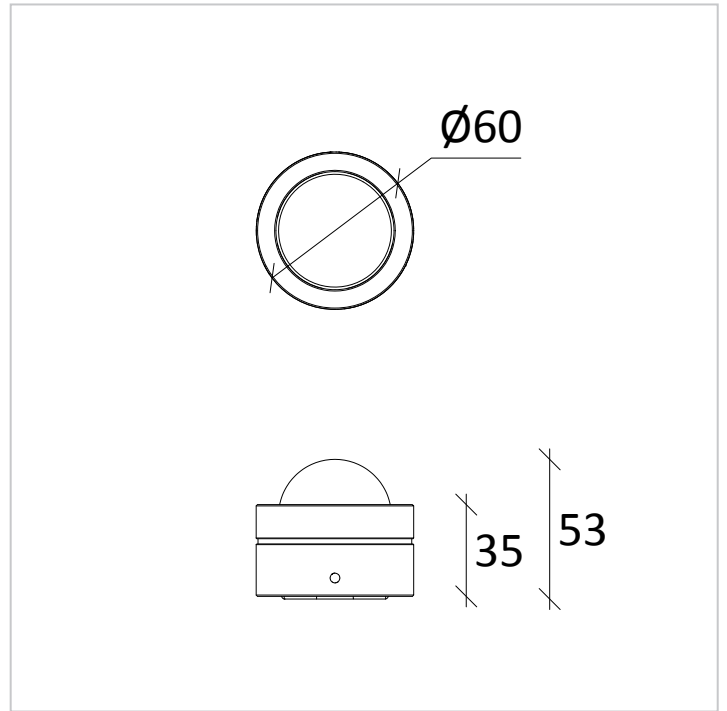
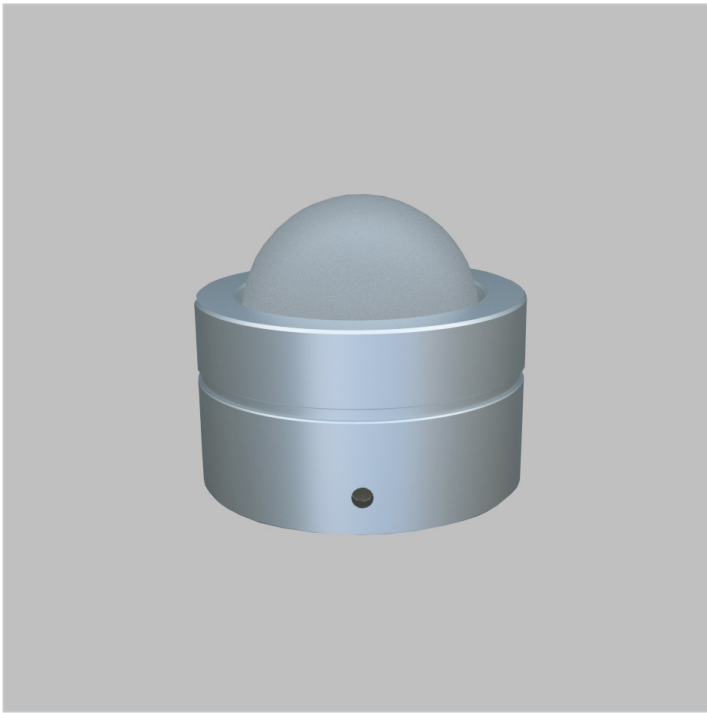


MARKER

ARCHITECTURAL
LIGHTING



Marker is an architectural spot light for outdoor applications as a marker of direct view and beacon applications.

CE   CLI IP 67

PRODUCT DESCRIPTION

Body: body and ring made of machined aluminium and anodized 20 micron.

Dome: made of opal or frosted polycarbonate with UV stabilizer.

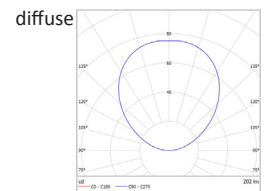
Seals: made of silicone anti-age.

Screws: made of stainless steel AISI 304

Wiring: standard equipment H05RN-F with double cable 2x0,75mm² or 2x0,5mm², 50cm length. PG7 plastic cable gland (stainless steel on request).

Dimming options: Standard Switch ON/OFF, dimmable 1-10 and dimmable DALI.

PHOTOMETRY



TECHNICAL DATA

Colour temperature	3000 K - 4000 K - 5000 K - RGBW
Luminous flux	210 lm *
Power supply	2.3 W
Luminous efficacy	-
Colour index	85 CRI *
Optics	diffuse
Driving current	700 mA
Input	220 - 240 V 50-60 Hz

* Values are referred to 4000K.

Tassoni & Pesenti

Head Office
address - Via Montegrappa, 32, 20080 Albairate (MI) Italy
web site - www.tplight.it
mail - info@tplight.it
tel/fax - +39.02.97162704

Registered Office
address - Viale E. Forlanini, 23, 20134 Milano (MI) Italy
C.F. & P.I. 07703840962
N° REA 1976624

TASSONI
&
PESENTI