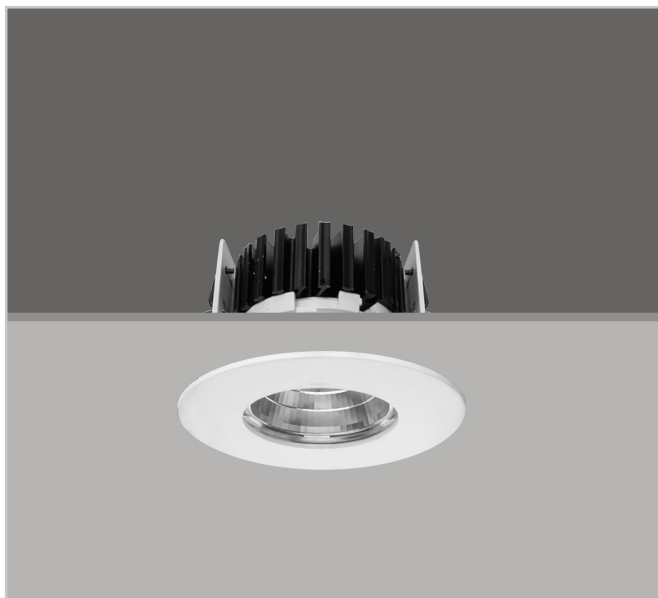


LUXY ROUND 75

Architectural downlight



Installation

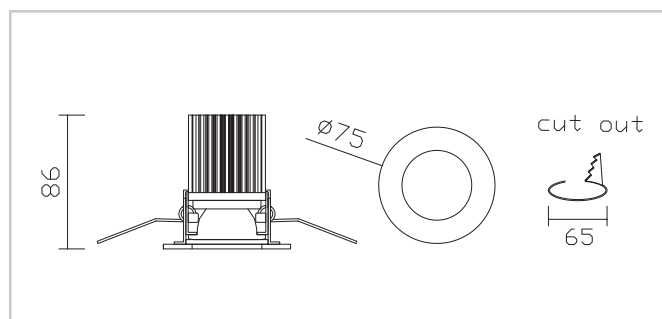
Ceiling recessed luminaire for indoor installation in wet ambient available in a wide range of optics, lumen output, colour temperature shape and dimension.

Technical description

Body made of laser cutted steel sheet painted with polyester powder.
Dissipation body made of extruded anodized aluminum.
Well calibrated armonic springs.
Extra-clear tempered glass silk-printed in non optical areas.
Silicon gasket.

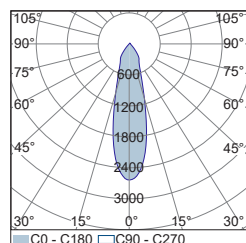
Electrical and optical features

High quality COB LED.
Polycarbonate methalized reflectors.
Remote power supply.
Class III device.



Source Type	COB LED
Luminaire wattage	6W
Colour temperature	3000K
Lifetime	L70B50 100,000 hrs
Lumen Output	550 lm
Beam	Available 24°
Driver	Available On-Off/DALI/DMX/1-10V
Insulation class	CL III
Protection class	IP65
Dimensions	Diam 75 mm x H 86 mm
Operating temperature	-10° / +50°

Photometric diagram



24° beam

MADE IN ITALY  IP20 IK08 CI III 

Tassoni & Pesenti Srl

Head Office

address - Via Montegrappa, 32, 20080 Albairate (MI) Italy

web site - www.tplight.it // mail - info@tplight.it // tel/fax - +39.02.97162704

C.F. & P.I. 07703840962 // N° REA 1976624

