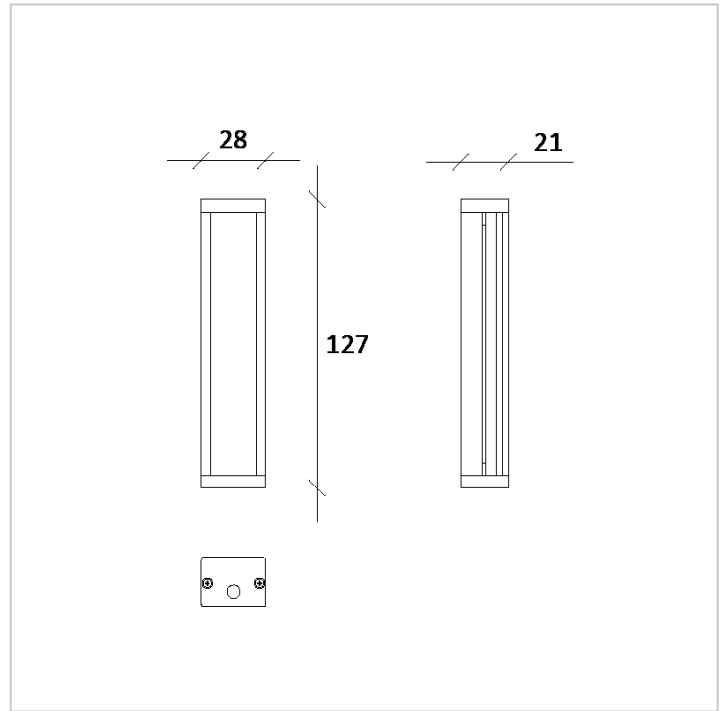
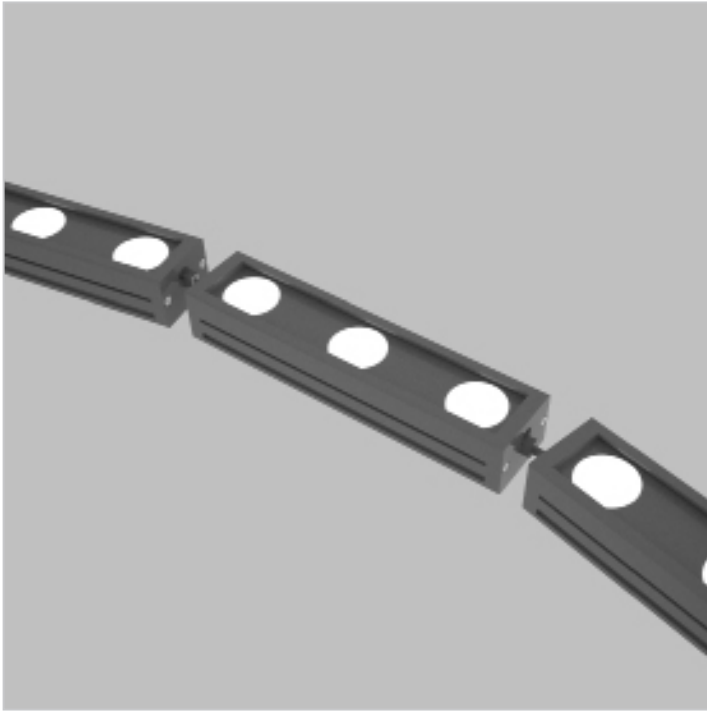


LIGHTBAR COMPACT

LINEAR
LIGHTING



Compact Lightbar is a modular and linear light system of small dimension but with high power LED available and a completely free possibility of length and led characteristics. For outdoor and indoor installation.

CE F X CLI IP 67

PRODUCT DESCRIPTION

Dissipation body: made of extruded and machined aluminium and anodized.

End cap: made of machined aluminium and anodized.

Front closure: made of tempered glass; clear or frosted.

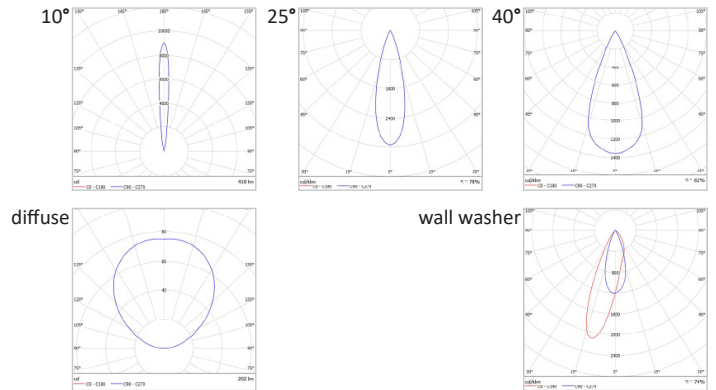
Seals: made of silicone anti-age.

Screws: made of stainless steel AISI 304

Wiring: standard equipment H05RN-F with double cable 2x0,75mm² or 2x0,5mm², 50cm length. PG7 plastic cable gland (stainless steel on request).

Dimming options: Standard Switch ON/OFF, dimmable 1-10 and dimmable DALI.

PHOTOMETRY



TECHNICAL DATA

Colour temperature	3000 K - 4000 K - 5000 K - RGBW
Luminous flux	from 518 lm to 24600 lm *
Power supply	from 6 W to 276 W
Luminous efficacy	-
Colour index	85 CRI *
Optics	10° - 25° - 40° - diffuse - wall washer
Driving current	350 mA - 500 mA - 700 mA
Input	220 - 240 V 50-60 Hz

* Values are referred to 4000K and differences between values are based on different lengths.
Other length and power are available with single LED Step and continuous line.

Tassoni & Pesenti

Head Office

address - Via Montegrappa, 32, 20080 Albairate (MI) Italy

web site - www.tplight.it

mail - info@tplight.it

tel/fax - +39.02.97162704

Registered Office

address - Viale E. Forlanini, 23, 20134 Milano (MI) Italy

C.F. & P.I. 07703840962

N° REA 1976624

TASSONI
&
PESENTI