

## USE AND MAINTENANCE INSTRUCTIONS - LED lighting luminaire

### WARNINGS

The following instruction should be applied to proper installation, use and maintenance of product and serve to guarantee your safety. It is necessary to preserve them for later consultation. These instructions must be available and for those who will have the maintenance.

### SAFETY NORM

- Switch off the power supply before performing any work on the luminaire, including cleaning.
- Check that the power supply circuit is equipped with a protection device.
- Check that after mounting the device is securely fastened.
- The safety can only be guaranteed by the appropriate use of the installation instructions.
- Use the luminaire in the expected position.
- Do not modify the luminaire without contact with the manufacturer.

### MAINTENANCE

- Before carrying out maintenance operations switch off the system.
- To replace the ballast using the same type, same brand and same power indicated on the data plate, however with the security mark (IMQ, VDE, UL, etc.).

### USE OF THE LUMINAIRE

- We accept no liability for any damage occurred to the product, things and/or people, because of incorrect installation and/or modifications of equipment, using accessories that are not suitable compared to the data on the label.
- It is forbidden even partial reproduction of the content contained in these instructions and in the installation instruction that accompany each single device.

### Disposal device - RAEE

At the end of the product life is a rejection of that part of the Community Directive 2002/96/EC-RAEE (Waste of Electrical and Electronic Equipment), should not be treated as household waste and is user's responsibility to dispose of it properly. To determine the location of the public areas contact the collection agency for collection of waste in their municipality.

### ATTENTION: ANY MODIFICATION OF THE DEVICE IS FORBIDDEN WITHOUT PERMISSION OF THE MANUFACTURER

The security of the device is guaranteed only in compliance with the European Norms electric and instructions contained in this box, so you need to keep them.

Compliance with these instructions is very important for the correct operation of the appliance and system. The installation must be made by a person qualified. Disconnect the power supply before carrying out any maintenance and cleaning.

The devices in insulation class I must be connected to the earth circuit of the system.

The light source contained in this lighting fixture can be replaced only by the manufacturer.

### IMPORTANT: THE WARRANTY DOES NOT APPLY IN THE FOLLOWING CASES:

- Incorrect installation
- Incorrect connection to the power supply line
- Negligent storage and handling
- Replacement of components with other components not supplied by us
- Tampering
- Lack of or incorrect maintenance
- Failure to comply with the annexed assembly instructions
- Installation in seismic areas or areas subject to strong vibrations
- Damages caused by vandalism

### PLEASE NOTE:

Any attempt to intervene on the LEDs not authorized by the manufacturer shall immediately void the warranty. Therefore, in case of malfunction, contact the manufacturer for repairing or replacing the product.

### GENERAL INSTALLATION RECOMMENDATIONS:

Use only supply cables with double case. Do not enter with single cables.

Use only <HAR> flexible cables of suitable diameter.

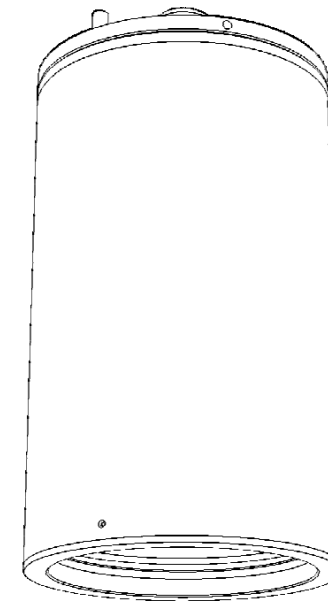
DO NOT USE HARD CABLES OR ARMoured CABLES (Hard cable could affect the IP67 protection)

N.B.: Prior to intervening on the fixture, ensure that the main switch is disengaged.



## MOUNTING INSTRUCTIONS

### L-TUBE V13

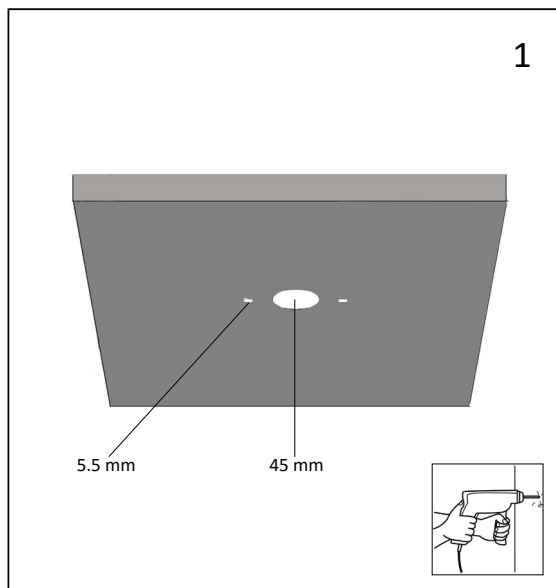


230-240 V 47-63 Hz

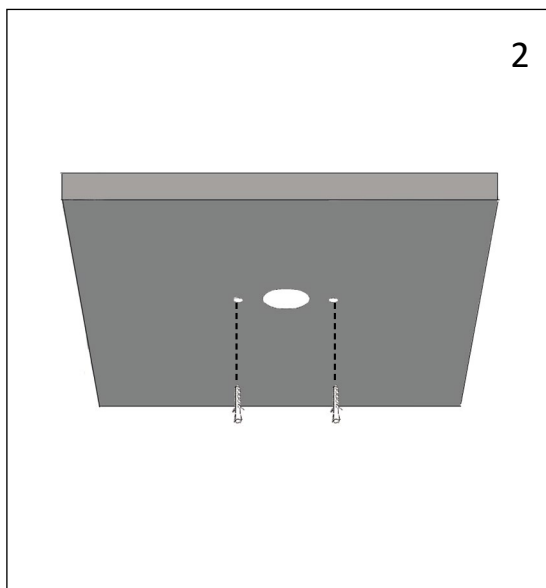


MADE IN ITALY

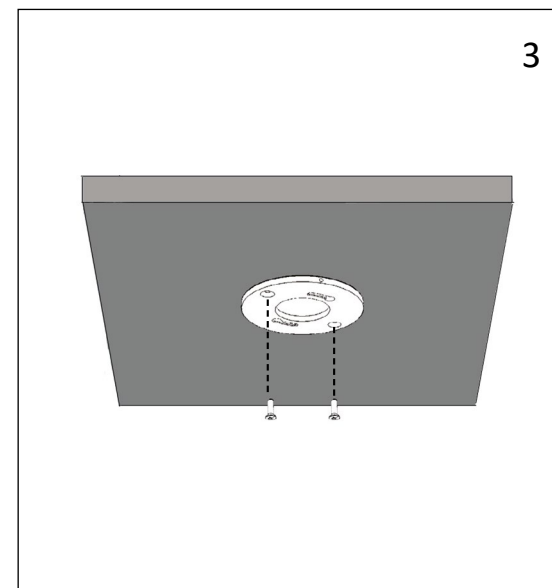




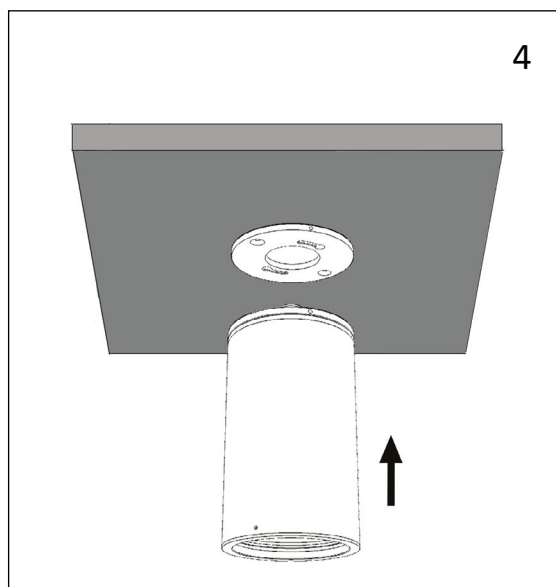
1 - Makes holes in the ceiling



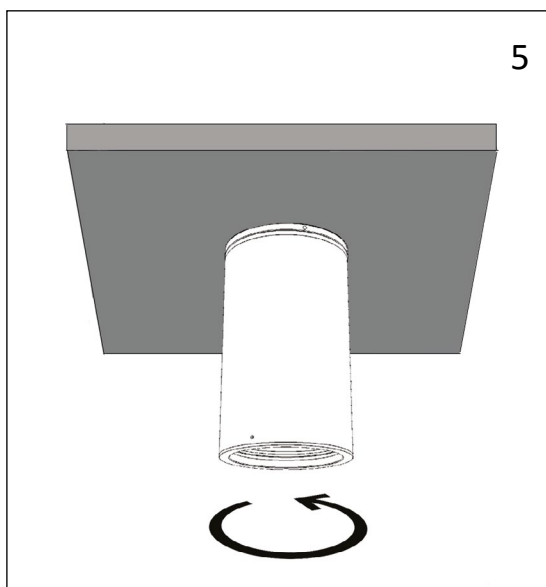
2 - Enter the fishers in the holes



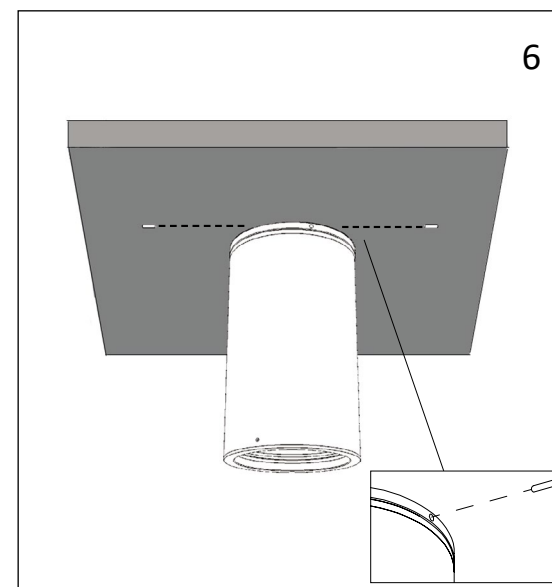
3 - Insert the plate and screw



4 - Insert the luminaire to the plate



5 - Rotate the luminaire



6 - Insert the grub screw in the holes