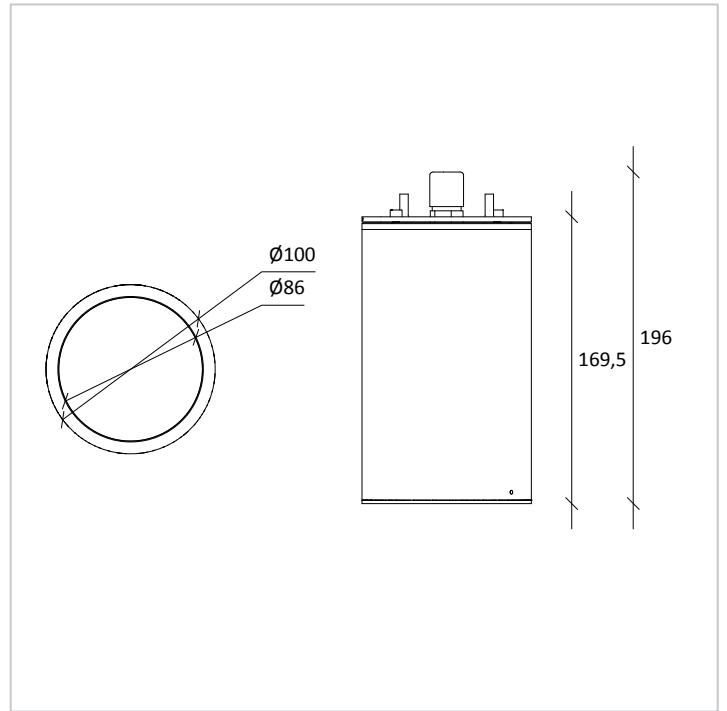


L-TUBE

ARCHITECTURAL
PROJECTOR



L-Tube is an architectural projector and, specially suited for ceiling and track installations.

CE   CLIII IP 65

PRODUCT DESCRIPTION

Dissipation body: made of machined aluminium, anodized or painted with polyester powder, a wide range of finishing are available.

Front ring: made of machined aluminium, anodized or painted with polyester powder, a wide range of finishing are available.

Back closure: made of machined aluminium, anodized or painted.

Front closure: made of tempered glass; clear or frosted.

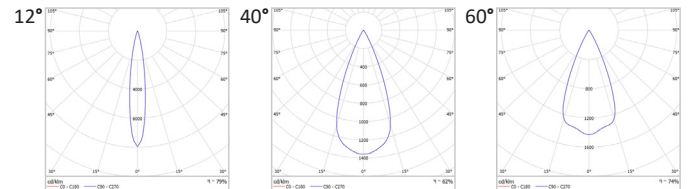
Seals: made in silicone anti-age.

Screws: made of stainless steel AISI 304

Wiring: standard equipment H05RN-F with double cable 2x0,75mm², 50cm length. PG9 plastic cable gland (stainless steel on request).

Dimming options: Standard Switch ON/OFF, dimmable 1-10 and dimmable DALI.

PHOTOMETRY



TECHNICAL DATA

Colour temperature	3000 K - 4000 K - 5000 K
Luminous flux	1250 lm *
Power supply	12,5 W
Luminous efficacy	~ 75 lm/W *
Colour index	90 CRI *
Optics	12° - 40° - 60°
Driving current	350 mA
Input	220 - 240 V 50-60 Hz

* Values are referred to 3000K

Tassoni & Pesenti

Head Office

address - Via Montegrappa, 32, 20080 Albairate (MI) Italy

web site - www.tplight.it

mail - info@tplight.it

tel/fax - +39.02.97162704

Registered Office

address - Viale E. Forlanini, 23, 20134 Milano (MI) Italy

C.F. & P.I. 07703840962

N° REA 1976624

TASSONI
&
PESENTI