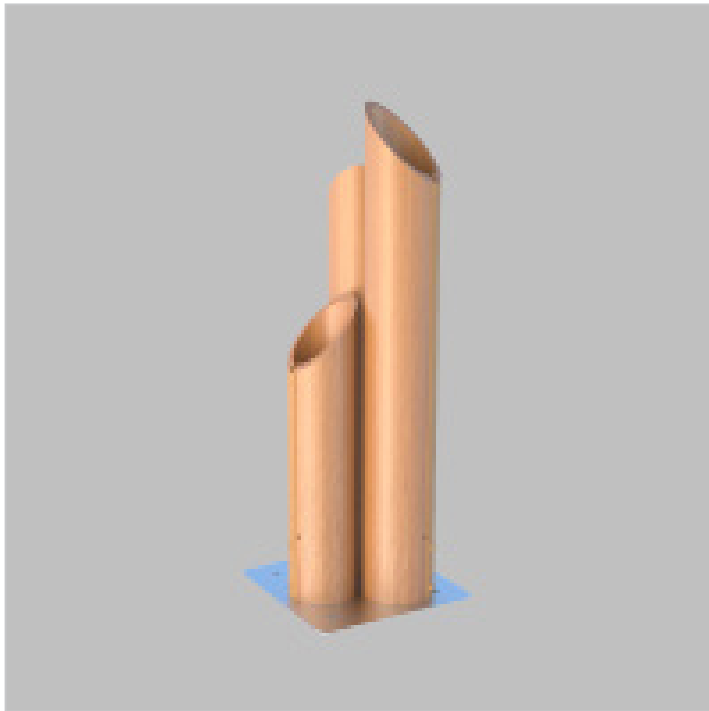
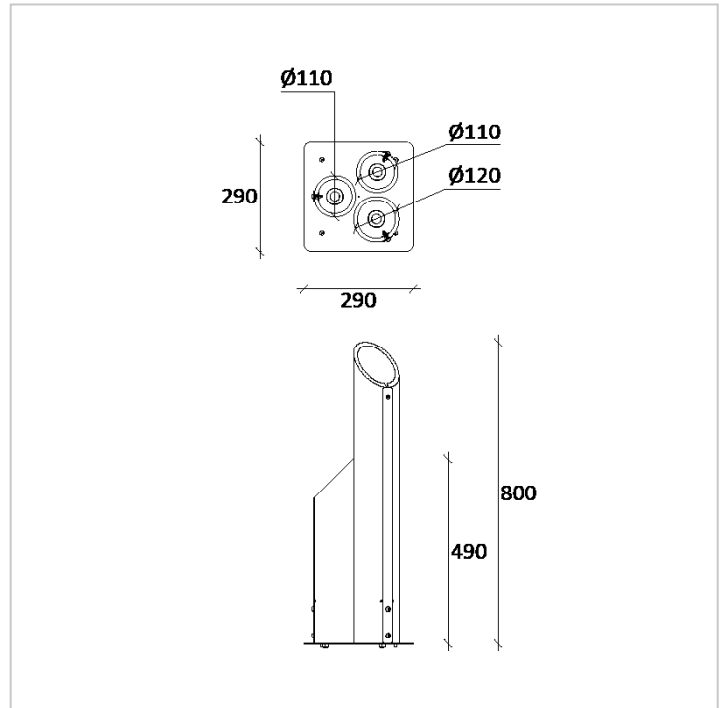


# JAMAICA D TYPE 1

DECORATIVE  
LIGHTING



Jamaica D is for a decorative lighting fixture for outdoor application.



CE   CLI IP68

## PRODUCT DESCRIPTION

**Body:** made starting from a stalk of bamboo and machined in order to create a straight tubular inner void in order to insert inside an IP68 rated cylindrical LED projector.

**Diffuser:** made of tempered glass

**Base:** made of bamboo of smallest diameter. The base is fixed to the bottom of the pond with N°4 stainless steel 316 spikes.

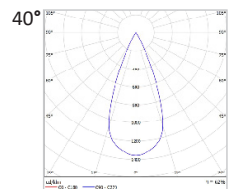
**Seals:** made in silicone anti-age.

**Screws:** made of stainless steel AISI 304

**Wiring:** standard equipment H05RN-F tripolar cable 3X0,75mm<sup>2</sup> r special cable for submersion purpose.

**Dimming options:** Standard Switch ON/OFF, dimmable 1-10 and dimmable DALI.

## PHOTOMETRY



## TECHNICAL DATA

Colour temperature	Amber
Luminous flux	175 lm *
Power supply	3 W *
Luminous efficacy	~ 76 lm/W *
Colour index	80 CRI
Optics	40°
Driving current	350 mA
Input	220 - 240 V 50-60 Hz

\*The value refers to a LED projector.

## Tassoni & Pesenti

Head Office

address - Via Montegrappa, 32, 20080 Albairate (MI) Italy

web site - [www.tplight.it](http://www.tplight.it)

mail - [info@tplight.it](mailto:info@tplight.it)

tel/fax - +39.02.97162704

Registered Office

address - Viale E. Forlanini, 23, 20134 Milano (MI) Italy

C.F. & P.I. 07703840962

N° REA 1976624

TASSONI  
&  
PESENTI