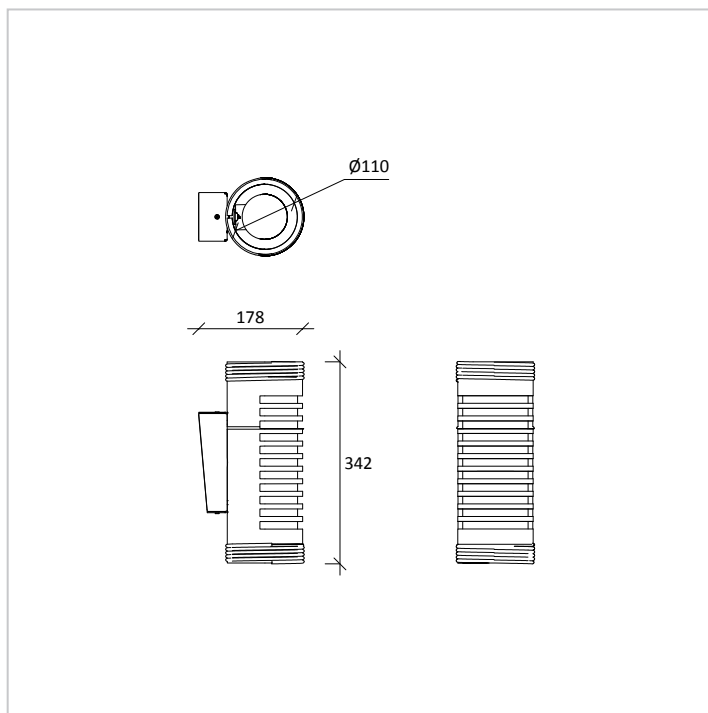


JAMAICA C

DECORATIVE
LIGHTING



Jamaica C is for a decorative lighting fixture for wall mounting, for outdoor application.

CE   CLI IP 56

PRODUCT DESCRIPTION

Body: made of bamboo worked and carved to obtain the front window and to get a regular empty tube inside, to permit insertion of the lighting kit. The surface is treated with waterproof paint for outdoor use.

Diffuser: tubular made of in amber glass and closed at both ends.

Fixing box: made of steel and painted with polyester powder.

Seals: made in silicone anti-age.

Screws: made of stainless steel AISI 304

Wiring: standard equipment H05RN-F bipolar cable 2X0,75 mm², 50 cm length.

Power supply integrated in the rear compartment.

Dimming options: Standard Switch ON/OFF, dimmable 1-10 and dimmable DALI.

TECHNICAL DATA

Colour temperature	2700 K
Luminous flux	470 lm *
Power supply	6 W *
Luminous efficacy	~ 78 lm/W
Colour index	80 CRI
Optics	Diffuse
Driving current	350 mA
Input	220 - 240 V 50-60 Hz

* Values are referred to one LED bulb E14.

Tassoni & Pesenti

Head Office

address - Via Montegrappa, 32, 20080 Albairate (MI) Italy

web site - www.tplight.it

mail - info@tplight.it

tel/fax - +39.02.97162704

Registered Office

address - Viale E. Forlanini, 23, 20134 Milano (MI) Italy

C.F. & P.I. 07703840962

N° REA 1976624

TASSONI
&
PESENTI