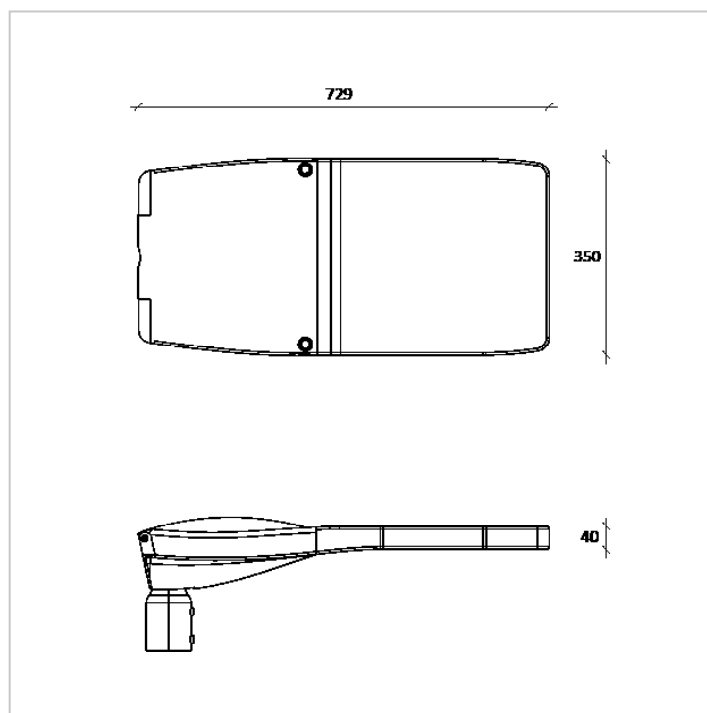


JACK BIG

STREET LIGHTING



Jack Big advanced Led street lighting for urban and extra-urban application, with self-cleaning heatsink.



CE CLII IP 66

PRODUCT DESCRIPTION

Body: made of die-cast aluminium with two separate chamber one for LED and the other for driver and other electronics components in order to avoid thermal affecting to driver. The body itself work has heat-sink and is designed to be self-cleaning. painted in polyester powder after phosphochromatising, standard color dark grey sablé 100 noir, other colors and certified marine grade protection available on request.

Front closure: made of tempered and serigtophped glass with 5 mm of thickness.

Seals: made in silicone anti-age.

Screws: made of stainless steel AISI 304

Wiring: standard equipment H05RN cable 3x0,75 mm², 50 cm length. PG13.5 plastic cable gland and integrated photovoltaic controller.

Dimming options: Standard Switch ON/OFF, dimmable 1-10 and dimmable DALI.

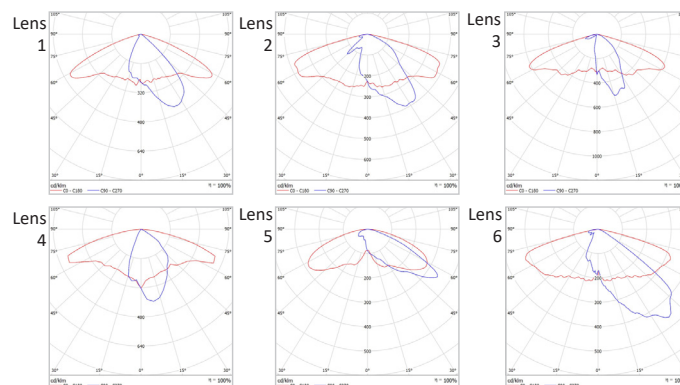
TECHNICAL DATA

Colour temperature	3000 K - 4000 K - 5000 K
Luminous flux	from 8840 lm to 22080 lm *
Power supply	from 102 W to 234 W
Luminous efficacy	~ 85 lm/W *
Colour index	90 CRI *
Optics	Streets
Driving current	700 mA - 1050 mA
Input	220 - 240 V 50-60 Hz

* Values are referred to 5000K

Modular cluster system of 3 LEDs, from 12 to 24 LEDs on a product Jack Big.

PHOTOMETRY



Tassoni & Pesenti

Head Office

address - Via Montegrappa, 32, 20080 Albairate (MI) Italy

web site - www.tplight.it

mail - info@tplight.it

tel/fax - +39.02.97162704

Registered Office

address - Viale E. Forlanini, 23, 20134 Milano (MI) Italy

C.F. & P.I. 07703840962

N° REA 1976624

TASSONI
&
PESENTI