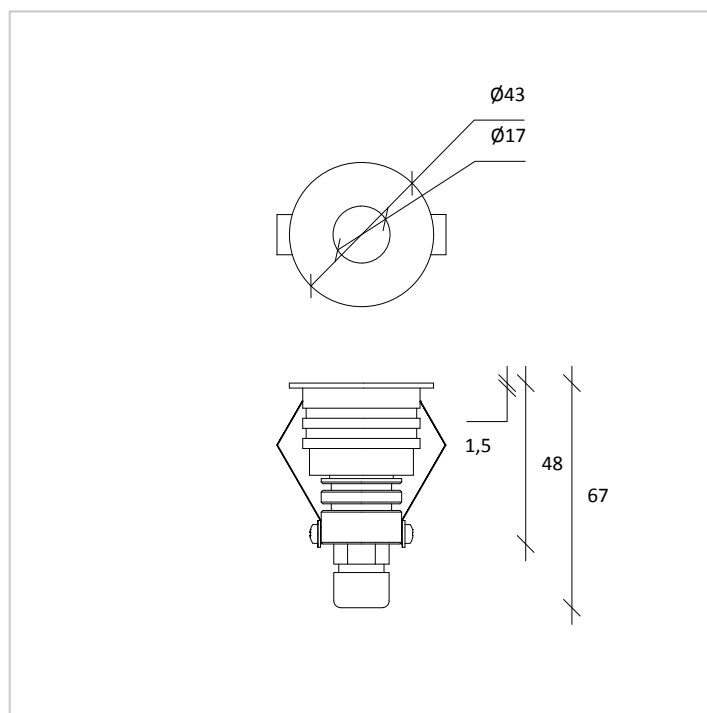


# GEYSER 43

ARCHITECTURAL  
DOWNLIGHT



Geyser 43 is a downlight for indoor installations. Thanks to a wide range of accessories it can be installed in interior and exterior wall, floor and ceiling.

CE F X CLIII IP 40

## PRODUCT DESCRIPTION

**Dissipation body:** made of anodized and machined aluminium.

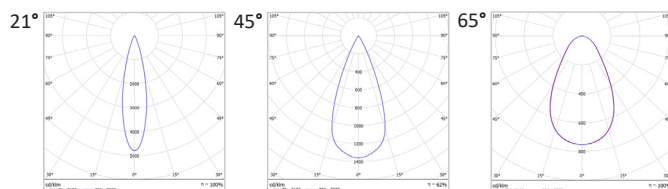
**Springs:** harmonic steel springs for installation in false ceiling.

**Screws:** made of stainless steel AISI 304.

**Wiring:** standard equipment H05RN-F bipolar cable 2X0,75mm<sup>2</sup>, 50cm length.  
PG7 plastic cable gland (nickel-plated brass and stainless steel on request).

**Dimming options:** Standard Switch ON/OFF, dimmable 1-10, dimmable DALI.

## PHOTOMETRY



## TECHNICAL DATA

Colour temperature	2700 K - 3000 K - 4000 K - 5000 K
Luminous flux	232 lm - 310 lm *
Power supply	3,4 W - 4,5 W
Luminous efficacy	~ 50 lm/W *
Colour index	90 CRI *
Optics	21° - 45° - 65°
Driving current	700 mA - 1050 mA
Input	220 - 240 V 50 Hz

\* Values are referred to 3000K

## Tassoni & Pesenti

Head Office

address - Via Montegrappa, 32, 20080 Albairate (MI) Italy

web site - [www.tplight.it](http://www.tplight.it)

mail - [info@tplight.it](mailto:info@tplight.it)

tel/fax - +39.02.97162704

Registered Office

address - Viale E. Forlanini, 23, 20134 Milano (MI) Italy

C.F. & P.I. 07703840962

N° REA 1976624

TASSONI  
&  
PESENTI