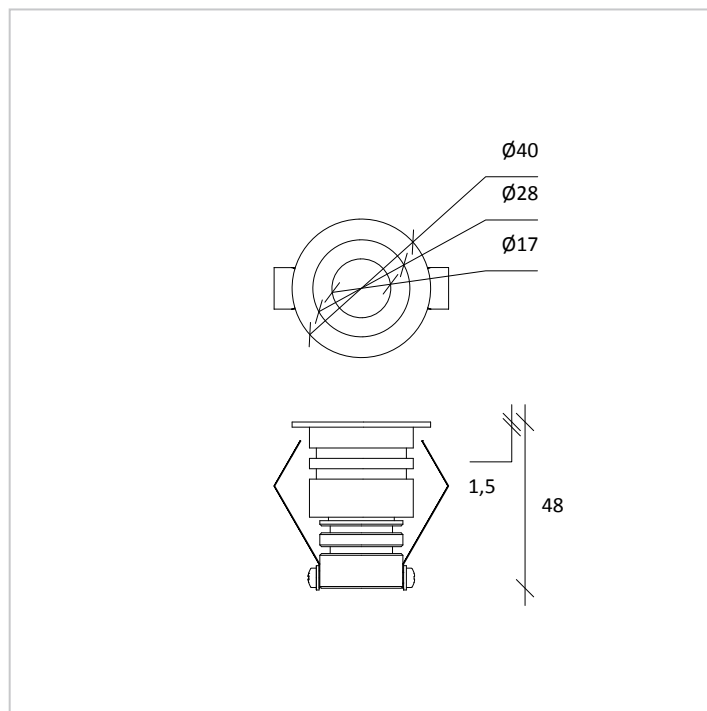


GEYSER 38

ARCHITECTURAL
DOWNLIGHT



Geysler 38 is a downlight for indoor installations. Thanks to a wide range of accessories it can be installed in interior wall, floor and ceiling.

CE F X CLIII IP 40

PRODUCT DESCRIPTION

Dissipation body: made of anodized and machined aluminium.

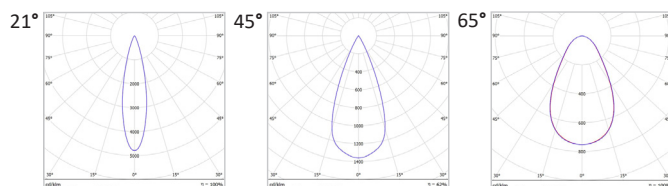
Springs: harmonic steel springs for installation in false ceiling.

Screws: made of stainless steel AISI 304.

Wiring: standard equipment H05RN-F bipolar cable 2X0,75mm², 50cm length.
PG7 plastic cable gland (nickel-plated brass and stainless steel on request).

Dimming options: Standard Switch ON/OFF, dimmable 1-10, dimmable DALI.

PHOTOMETRY



TECHNICAL DATA

Colour temperature	2700 K - 3000 K - 4000 K - 5000 K
Luminous flux	75 lm - 100 lm - 133 lm *
Power supply	1,5 W - 2 W
Luminous efficacy	~ 50 lm/W *
Colour index	90 CRI *
Optics	21° - 45° - 65°
Driving current	350 mA - 500 mA
Input	220 - 240 V 50 Hz

* Values are referred to 3000K

Tassoni & Pesenti

Head Office

address - Via Montegrappa, 32, 20080 Albairate (MI) Italy

web site - www.tplight.it

mail - info@tplight.it

tel/fax - +39.02.97162704

Registered Office

address - Viale E. Forlanini, 23, 20134 Milano (MI) Italy

C.F. & P.I. 07703840962

N° REA 1976624

TASSONI
&
PESENTI