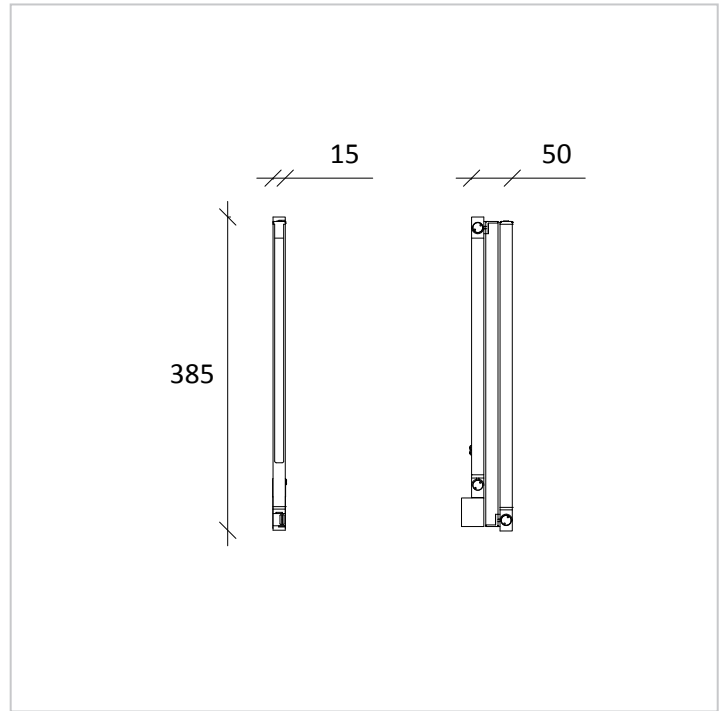


EXTRA

DESK LAMP



Extra is a table and wall luminaire. Thanks to a triple junction and an axial rotation of the terminals joints is extremely flexible.

CE F CLIII IP 20

PRODUCT DESCRIPTION

System: made of anodized and extruded aluminium with square section.

Joints: made of injection molded polycarbonate and prismatic inside for better light control.

Reflector: made in injection molded of plastic material characterized of absence of wires.

Base: made in iron painted with polyester powder black or grey.

Bracket: made in anodized aluminium. *

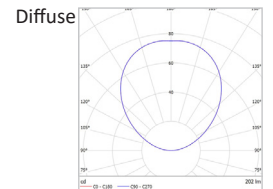
Screws: made of stainless steel AISI 304.

Wiring: standard equipment H05RN-F with double cable 2x0,75mm², 50cm length.

Dimming options: Standard Switch ON/OFF, dimmable 1-10 and dimmable DALI.

*Available only if it is request the wall installation version.

PHOTOMETRY



TECHNICAL DATA

Colour temperature	3000 K - 4000 K - 5000 K
Luminous flux	1100 lm *
Power supply	11 W
Luminous efficacy	~ 100 lm/W *
Colour index	90 CRI *
Optics	Diffuse
Driving current	24 V
Input	230 V 50-60 Hz

* Values are referred to 4000K

Tassoni & Pesenti

Head Office

address - Via Montegrappa, 32, 20080 Albairate (MI) Italy

web site - www.tplight.it

mail - info@tplight.it

tel/fax - +39.02.97162704

Registered Office

address - Viale E. Forlanini, 23, 20134 Milano (MI) Italy

C.F. & P.I. 07703840962

N° REA 1976624

TASSONI
&
PESENTI