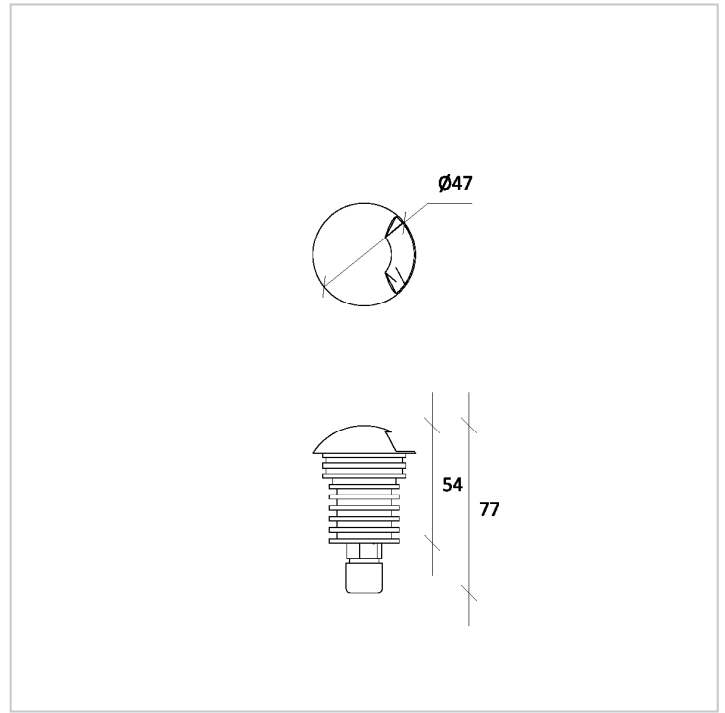


DOME 47-1

ARCHITECTURAL
MARKER



Dome 47-1 is a small and practical marker for outdoor installation.



CE   CLIII IP 67

PRODUCT DESCRIPTION

Dissipation body: made of stainless steel AISI 316L.

Dome: made of machined aluminium (stainless steel on request), a wide range of finishing are available.

Front closure: made of tempered glass of the required width.

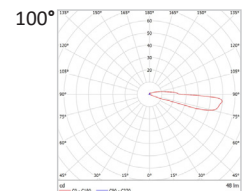
O-ring: made in silicone anti-age.

Screws: made of stainless steel AISI 304.

Wiring: standard equipment H05RN-F bipolar cable 2X0,75mm². PG7 plastic cable gland (stainless steel on request), power supply to be inside the recessed housing.

Dimming options: Standard Switch ON/OFF, dimmable 1-10 and dimmable DALI.

PHOTOMETRY



TECHNICAL DATA

Colour temperature	3000 K - 4000 K - 5000 K
Luminous flux	65 lm *
Power supply	1,5 W
Luminous efficacy	~ 43 lm/W *
Colour index	< 70 CRI *
Optics	100°
Driving current	500 mA
Input	220 - 240 V 50-60 Hz

* Values are referred to 3000K

ACCESSORIES

Recessed Housing: made of extruded and machined aluminium.



Tassoni & Pesenti

Head Office

address - Via Montegrappa, 32, 20080 Albairate (MI) Italy

web site - www.tplight.it

mail - info@tplight.it

tel/fax - +39.02.97162704

Registered Office

address - Viale E. Forlanini, 23, 20134 Milano (MI) Italy

C.F. & P.I. 07703840962

N° REA 1976624

TASSONI
&
PESENTI