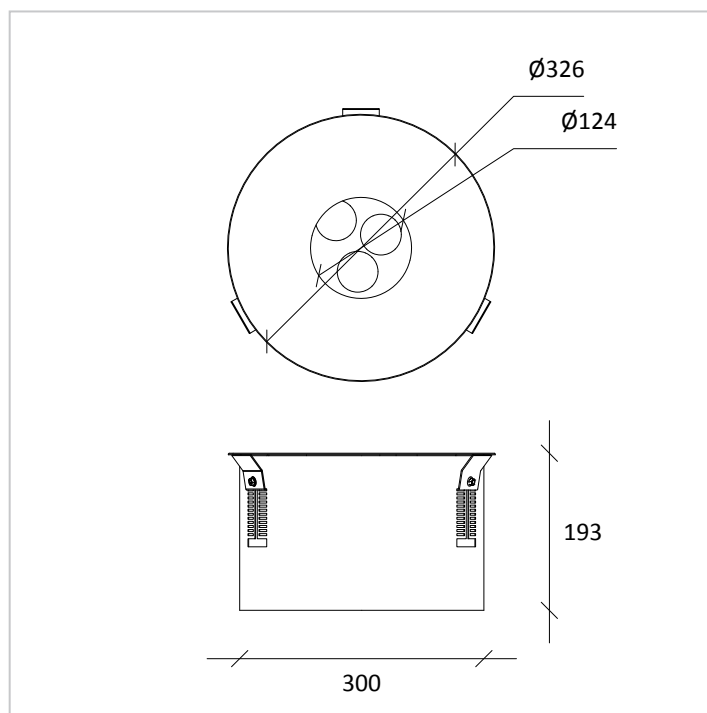


# CALED-3

ARCHITECTURAL  
PROJECTOR



*Caled-3 is a lighting system made of a cylindrical recessed box with hidden inside N°3 LED projector adjustable.*



CE CLIII IP 20

## PRODUCT DESCRIPTION

**Cylindrical box:** made of steel sheet painted with polyester coating, anodized or painted with polyester powder, a wide range of finishing are available.

**Back closure:** made of machined aluminium, anodized or painted.

**Springs:** made of stainless steel.

**Seals:** made in silicone anti-age.

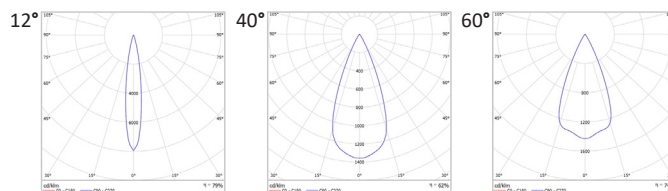
**Screws:** made of stainless steel AISI 304.

**LED projectors:** made of machined aluminium, with adjusting system and aluminium heatsink.

**Wiring:** standard equipment, for each projector, H05RN-F with double cable 2x0,75mm<sup>2</sup>, 50cm length. PG7 plastic cable gland (stainless steel on request) for each projector.

**Dimming options:** Standard Switch ON/OFF, dimmable 1-10 and dimmable DALI.

## PHOTOMETRY



## TECHNICAL DATA

Colour temperature	3000 K - 4000 K - 5000 K
Luminous flux	450 lm *
Power supply	7 W
Luminous efficacy	~ 75 lm/W *
Colour index	90 CRI *
Optics	12° - 40° - 60°
Driving current	700 mA
Input	220 - 240 V 50-60 Hz

\* Values are referred to 3000K

## Tassoni & Pesenti

Head Office

address - Via Montegrappa, 32, 20080 Albairate (MI) Italy

web site - [www.tplight.it](http://www.tplight.it)

mail - [info@tplight.it](mailto:info@tplight.it)

tel/fax - +39.02.97162704

Registered Office

address - Viale E. Forlanini, 23, 20134 Milano (MI) Italy

C.F. & P.I. 07703840962

N° REA 1976624

TASSONI  
&  
PESENTI