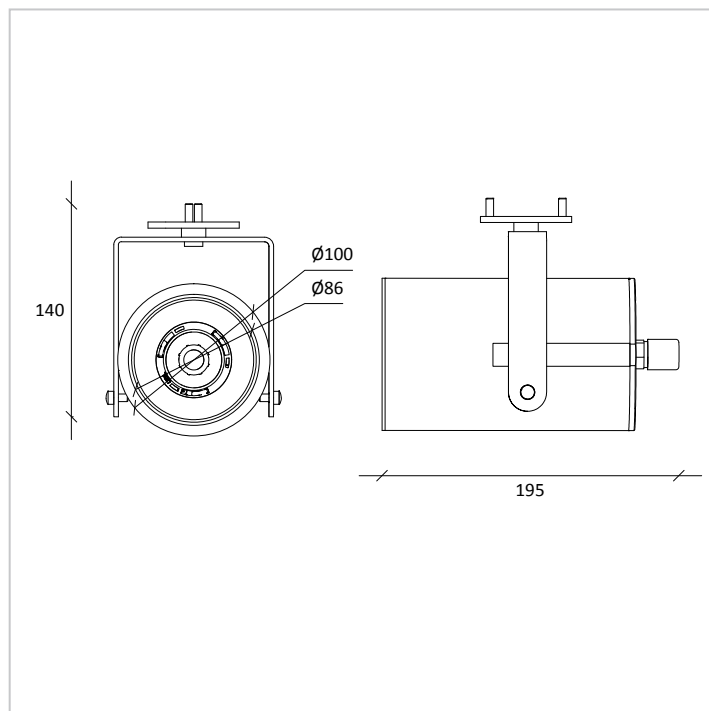


# C-BEAM 2

ARCHITECTURAL  
PROJECTOR



C-Beam 2 is an architectural projector and, thanks to a wide range of accessories, it can be installed in interior and exterior wall, floor, ceiling and trak.

CE   CLII IP 65

## PRODUCT DESCRIPTION

**Dissipation body:** made of machined aluminium, anodized or painted with polyester powder, a wide range of finishing are available.

**Front ring:** made of machined aluminium, anodized or painted with polyester powder, a wide range of finishing are available.

**Front closure:** made of tempered glass; clear or frosted.

**Bracket:** made of laster cutted alumonium foil, anodized or painted with polyester powder.

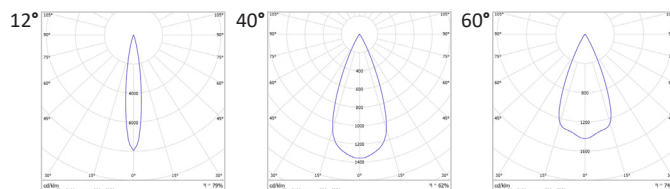
**Seals:** made in silicone anti-age.

**Screws:** made of stainless steel AISI 304

**Wiring:** standard equipment H05RN-F with double cable 2x0,75mm<sup>2</sup>, 50cm length. PG9 plastic cable gland (stainless steel on request).

**Dimming options:** Standard Switch ON/OFF, dimmable 1-10 and dimmable DALI.

## PHOTOMETRY



## TECHNICAL DATA

Colour temperature	3000 K - 4000 K - 5000 K
Luminous flux	1528 lm *
Power supply	19 W
Luminous efficacy	~ 75 lm/W *
Colour index	90 CRI *
Optics	12° - 40° - 60°
Driving current	620 mA
Input	220 - 240 V 50-60 Hz

\* Values are referred to 3000K

## ACCESSORIES

**Wall arm:** 300mm and 450mm made of galvanized steel and painted with polyester powder.

**Wall Box:** for fixing and wiring.

**Earth spike:** made of stainless steel.

**Ties:** made of stainless steel.

**Louvre:** antiglare made of machined aluminium.

Tassoni & Pesenti

Head Office

address - Via Montegrappa, 32, 20080 Albairate (MI) Italy

web site - [www.tplight.it](http://www.tplight.it)

mail - [info@tplight.it](mailto:info@tplight.it)

tel/fax - +39.02.97162704

Registered Office

address - Viale E. Forlanini, 23, 20134 Milano (MI) Italy

C.F. & P.I. 07703840962

N° REA 1976624

TASSONI  
&  
PESENTI