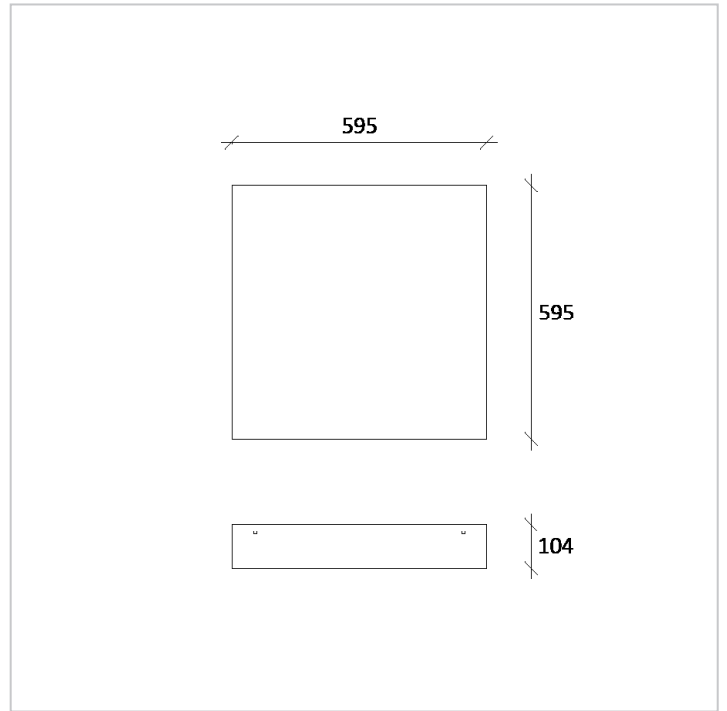


# BASIC 60X60

GENERAL  
LIGHTING



Basic 60X60 is a light for general lighting, for recessed and ceiling installation in particular for modular ceiling and specialized for offices and meeting rooms.

CE   CLI/II IP 44

## PRODUCT DESCRIPTION

**Body:** made of machined steel sheet or aluminium sheet anodized or painted with polyester powder.

**Front closure:** made of opal polycarbonate with high transmittance, or request are available in standard no glare polycarbonate and UGR microprism polycarbonate compliant to video-terminal working area.

**Seals:** made in silicone anti-age.

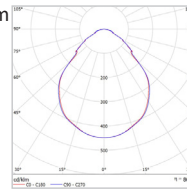
**Screws:** made of stainless steel AISI 304.

**Wiring:** 2P + E connector on board, power supply and other accessorize box.

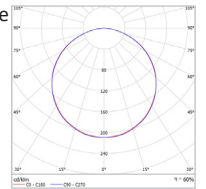
**Dimming options:** Standard Switch ON/OFF, dimmable 1-10 and dimmable DALI.

## PHOTOMETRY

Microprism



Opal no glare



## TECHNICAL DATA

Colour temperature	3000 K - 4000 K - 5000 K
Luminous flux	4320 lm *
Power supply	57 W
Luminous efficacy	~ 76 lm/W *
Colour index	90 CRI *
Optics	Microprism - Opal no glare
Driving current	500 mA
Input	230 V 50-60 Hz

\* Values are referred to 4000K

Tassoni & Pesenti

Head Office

address - Via Montegrappa, 32, 20080 Albairate (MI) Italy

web site - [www.tplight.it](http://www.tplight.it)

mail - [info@tplight.it](mailto:info@tplight.it)

tel/fax - +39.02.97162704

Registered Office

address - Viale E. Forlanini, 23, 20134 Milano (MI) Italy

C.F. & P.I. 07703840962

N° REA 1976624

TASSONI  
&  
PESENTI