



TASSONI
— & —
PESENTI

ANGEL FINGER

ANGEL FINGER

CE IP66 CLI 

Installation

Residential lighting suitable for garden and pathways but also for squares, public areas and street lighting, thanks to its wide range of available optics, LED modules and luminaire height.
Thanks to its silicone optics IK09 and IP66 rated, the protection glass is not necessary thus increasing the optical efficiency which is greater than 92%.
Luminaire provided with fixing plate hidden inside same pole.

Technical description

Base tube, fingers and top lightighting module of extruded and machined aluminium powder painted.
Fixing plate made of extruded aluminun and laser cut AISI316L stainless steel.

Electrical Features

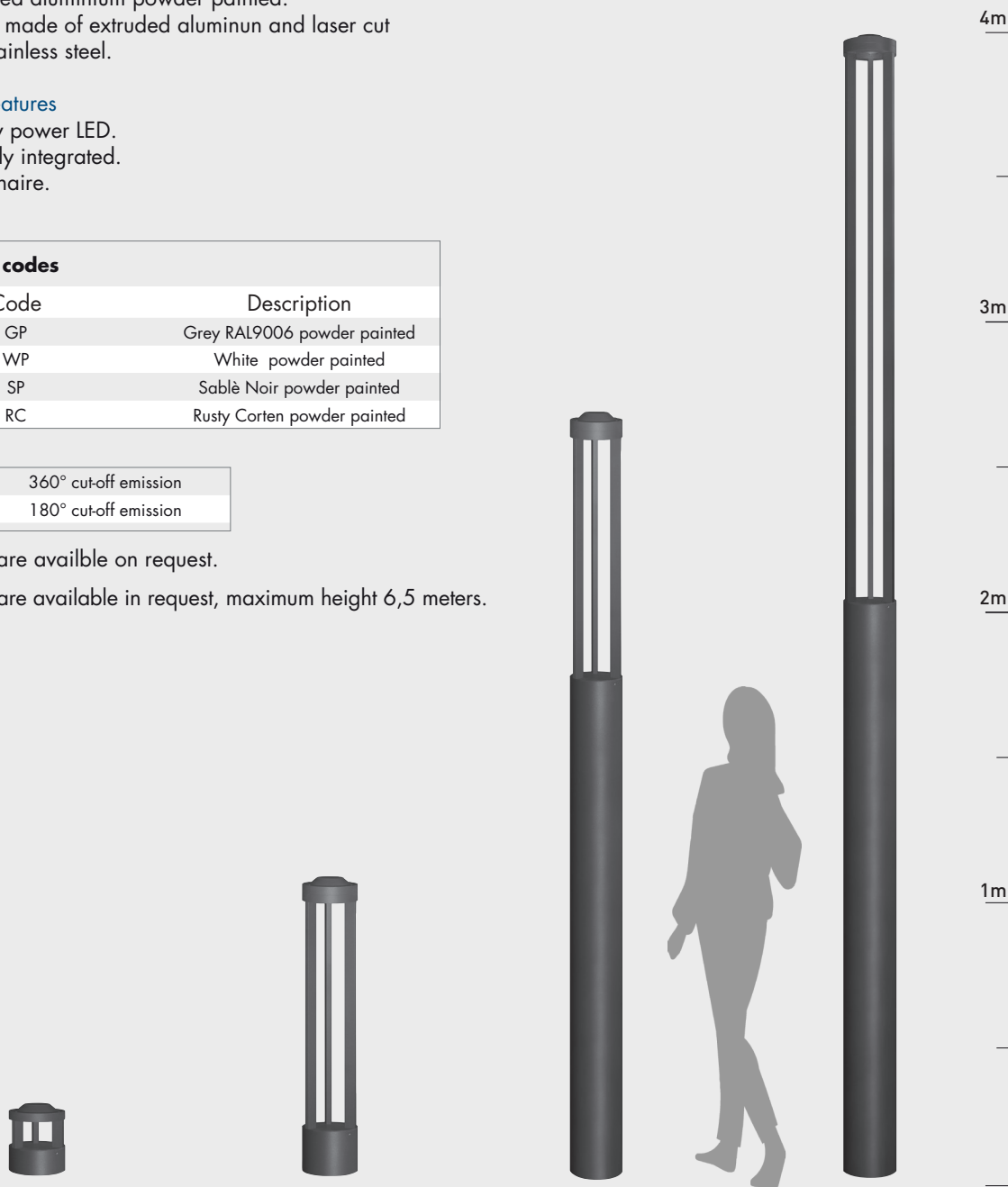
High quality power LED.
Power supply integrated.
Class I luminaire.

Source type	COB LED
Luminaire wattage	21W - 37W - 49W
Colour temperature	2700K - 3000K - 4000K
CRI	80
Beam	Rotosym. emission, street optics
Driver	Integrated
Input	220-240V 50/60 Hz
Protection class	CLI
IP rating	IP66

+ Finishing codes	
Code	Description
GP	Grey RAL9006 powder painted
WP	White powder painted
SP	Sablè Noir powder painted
RC	Rusty Corten powder painted

AC	360° cut-off emission
AA	180° cut-off emission

Other optics are available on request.
Other height are available in request, maximum height 6,5 meters.



Angel Finger Ø 160
AC/AA 200

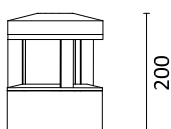
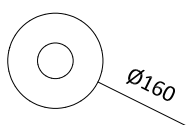
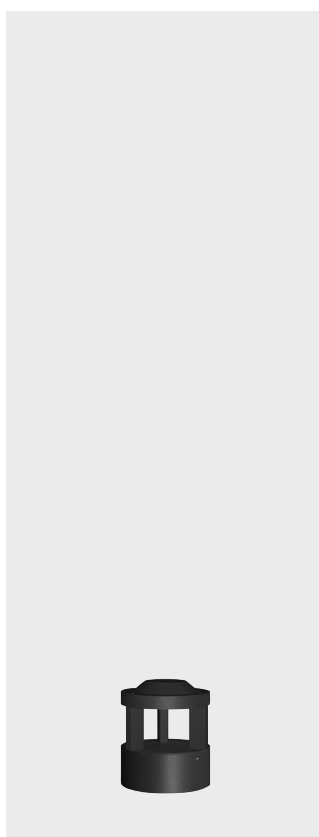
Angel Finger Ø 160
AC/AA 900

Angel Finger Ø 160
AC/AA 2600

Angel Finger Ø 160
AC/AA max 4000

ANGEL FINGER 160/200 - 21W

CE IP66 CLI F



Product codes - lower wattages available

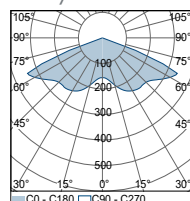
Code	W	Optic	Lm	K	CRI
AAF0200AC12Y	21	Rotosym. wide	2140	2700	80
AAF0200AC12W	21	Rotosym. wide	2270	3000	80
AAF0200AC12N	21	Rotosym. wide	2340	4000	80
AAF0200AA22Y	21	Asym. street	2290	2700	80
AAF0200AA22W	21	Asym. street.	2430	3000	80
AAF0200AA22N	21	Asym. street.	2500	4000	80

+ Finishing codes (see product features page)

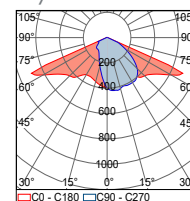
+ Power supply codes

Code	Power supply type
ST	Standard
DI	DIM1-10
DA	DIM DALI

Rotosymmetric



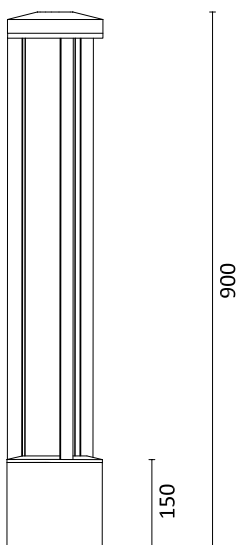
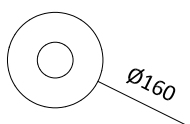
Asymmetric street



Other optics and power consumption configurations are available.

ANGEL FINGER 160/900 - 21W

CE IP66 CLI F



Product codes - lower wattages available

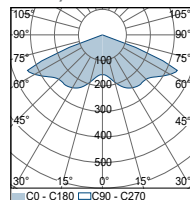
Code	W	Optic	Lm	K	CRI
AAF0900AC12Y	21	Rotosym. wide	2140	2700	80
AAF0900AC12W	21	Rotosym. wide	2270	3000	80
AAF0900AC12N	21	Rotosym. wide	2340	4000	80
AAF0900AA22Y	21	Asym. street	2290	2700	80
AAF0900AA22W	21	Asym. street.	2430	3000	80
AAF0900AA22N	21	Asym. street.	2500	4000	80

+ Finishing codes (see product features page)

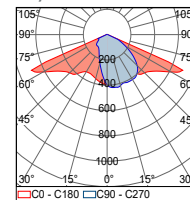
+ Power supply codes

Code	Power supply type
ST	Standard
DI	DIM1-10
DA	DIM DALI

Rotosymmetric



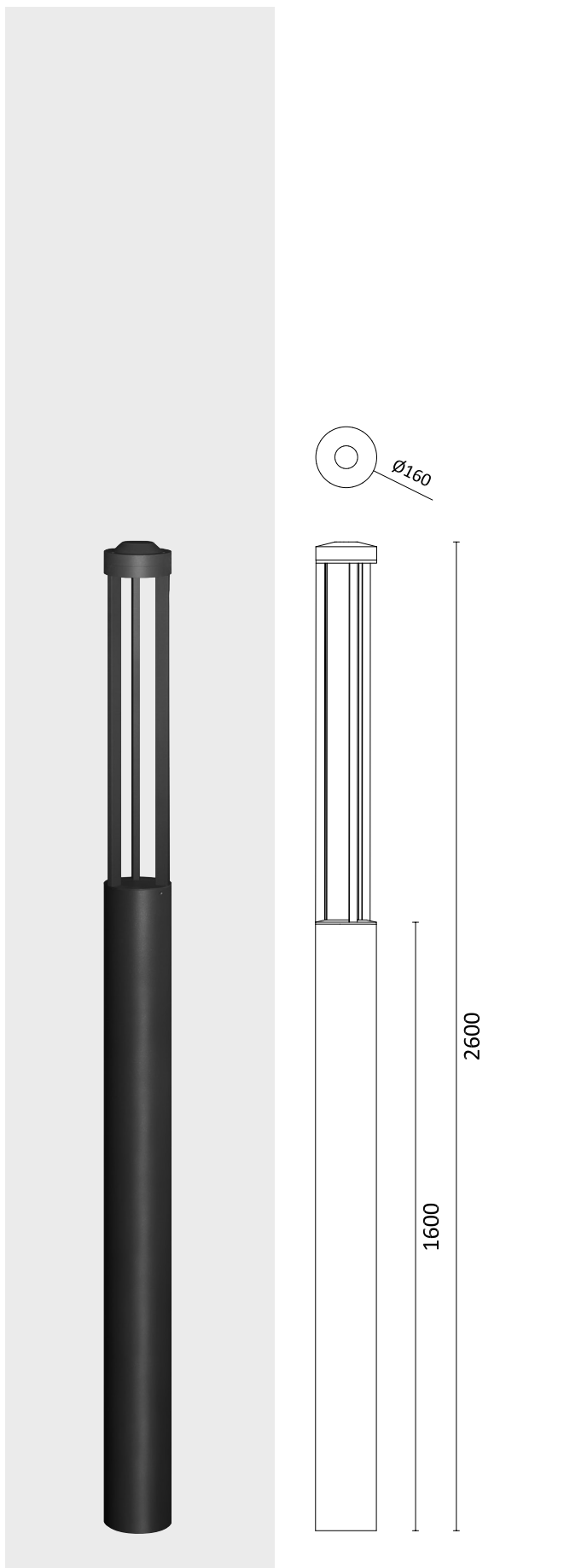
Asymmetric street



Other optics and power consumption configurations are available.

ANGEL FINGER 160/2600 - 37W

CE IP66 CLI



Product codes - lower wattages available

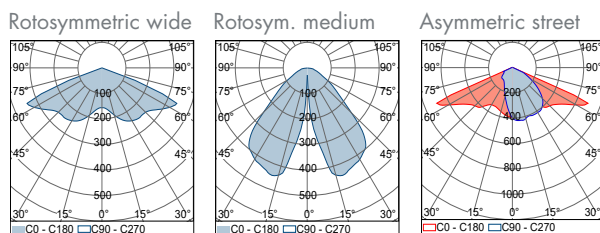
Code	W	Optic	Lm	K	CRI
AAF2600AC22Y	37	Rotosym. wide	3770	2700	80
AAF2600AC22W	37	Rotosym. wide	4000	3000	80
AAF2600AC22N	37	Rotosym. wide	4125	4000	80
AAF2600AC22Y	37	Rotosym. med.	4035	2700	80
AAF2600AC22W	37	Rotosym. med.	4180	3000	80
AAF2600AC22N	37	Rotosym. med.	4405	4000	80
AAF2600AA22Y	37	Asym. street	4035	2700	80
AAF2600AA22W	37	Asym. street	4280	3000	80
AAF2600AA22N	37	Asym. street	4405	4000	80

+ Finishing codes (see product features page)

+ Power supply codes

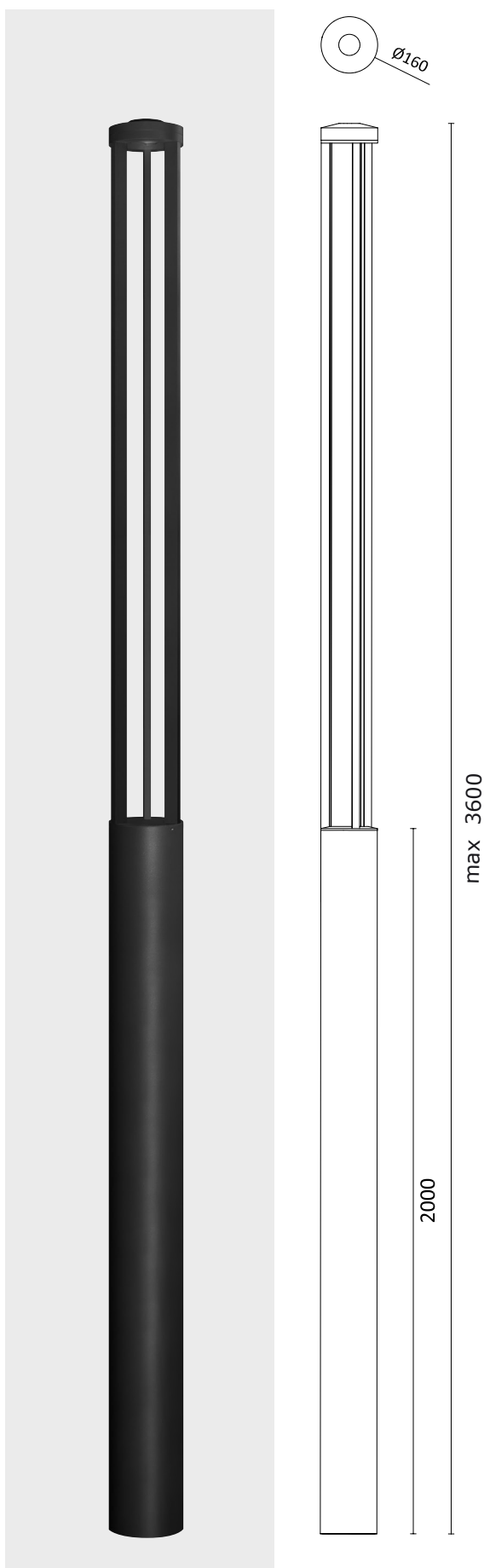
Code	Power supply type
ST	Standard
DI	DIM1-10
DA	DIM DALI

Other optics and power consumption configurations are available.



ANGEL FINGER 160/max 4000 - 49W

CE IP66 CLI F



Product codes - lower wattages available

Code	W	Optic	Lm	K	CRI
AAF4000AC12Y	49	Rotosym. wide	4890	2700	80
AAF4000AC12W	49	Rotosym. wide	5190	3000	80
AAF4000AC12N	49	Rotosym. wide	5350	4000	80
AAF4000AC12Y	49	Rotosym. med.	5235	2700	80
AAF4000AC12W	49	Rotosym. med.	5555	3000	80
AAF4000AC12N	49	Rotosym. med.	5715	4000	80
AAF4000AA22Y	49	Asym. street	5235	2700	80
AAF4000AA22W	49	Asym. street	5555	3000	80
AAF4000AA22N	49	Asym. street	5715	4000	80

+ Finishing codes (see product features page)

+ Power supply codes

Code	Power supply type
ST	Standard
DI	DIM1-10
DA	DIM DALI

Other optics and power consumption configurations are available.

